

WENZHOU TOPNOTCH MACHINE CO.,LTD.

Add:Heyi Industrial Zone, Oubei Town,
Yongjia, Wenzhou, Zhejiang, China 325105
Tel:+86-577-67318591
Fax:+86-577-67328591
Mobile:+86-18906638592
E-mail:market@tanamachine.com
Website:www.tanamachine.com



TANA[®]

WWW.TANAMACHINE.COM

AT SERIES PNEUMATIC ACTUATORS

WENZHOU TOPNOTCH MACHINE CO.,LTD.

CONTENTS

BRIEF INTRODUCTION	01
Equipment show	02-03
Design features and operating conditions	04
Actuator structure	05
And parts and materials	06-07
Actuator is chosen	08
Working principle double-acting output torque	09
Single acting work principle output torque	10-11
Outside dimensions and connecting dimensions	12
Mounting holes, switching time, gas consumption and weight scale	13
Whole stroke control limit actuator output hole size	14
120° /180° Double-acting actuators	15
Pneumatic control system wiring diagram	16
Common failure inspection and elimination method	17
The attachment (common)	18-19
Product image display	20-21



TANA[®]
WENZHOU TOPNOTCH MACHINE CO.,LTD.



Brief Introduction

Wenzhou Topnotch Machine Co.,Ltd., brand name TANA .established in the year 2003, located at China famous pump&valve TownOubei,Wenzhou. We'respecialized in producing and marketing all kinds of industrial valves,pump & actuators. Our corporate Vision is to be a pipeline control specialist by supply products and help our valued customer solve their problems with excellent sales & after-sales service, and also reasonable price.

Over the years, we already have expanded our operations with team of well experienced design,manufacturing and marketing engineers. We have 100 -150 employees, around 50 sets advantaged producing equipments, which ensure our production ability. Our products have been widely application in the gas, oil, refining, chemical, marine, power generation and pipeline transmission industries. And 80% of products are supplied to SoutheastAsia, the Middle East, North America, Europe and Africa, more than 30 oversea countries, we have accumulated good reputation from our clients.

Quality is at the heart of everything we do, through product development to manufacturing, supply and sale. We make products strictly according to International standards & clients' requirements, and have established quality control system to ensure us offer the high quality products.

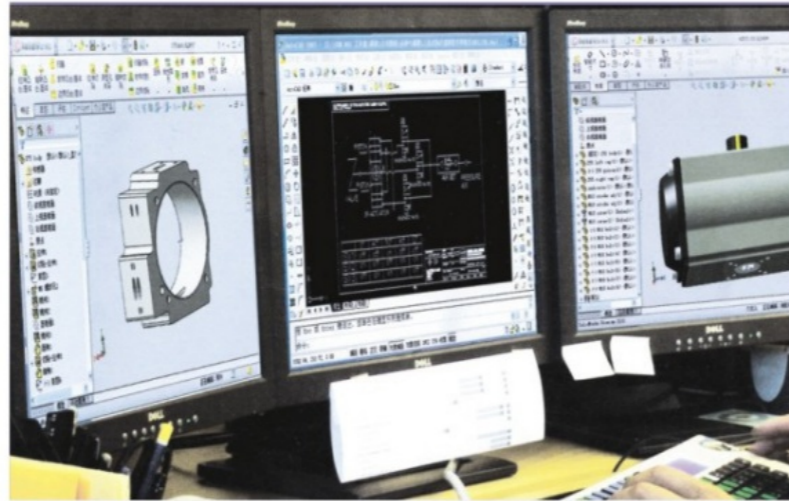
"Keep the promise and offer the top-class products &service" is our principle,we believe that we can establish and maintain long term win-win cooperation through our mutual effort by reasonable price, good quality product and best service.

Welcome to contact us, thank you!



Advanced Equipment

Boke has a high-precision internal grinder CNC machine tools, machining center and other advanced manufacturing equipment of pneumatic actuator, sophisticated technology and strict and perfect quality management system, is a leading technology and professional technology team, take full advantage of new technologies, new processes, new materials to ensure that the product quality is stable and reliable.



AT SERIES PNEUMATIC ACTUATORS

Design And Characteristics

AT series pneumatic actuators in a combination of domestic and foreign new technology, new material, new technology and innovative ideas on the basis of research and development, design and become, has the following features:

- Comply with the latest international standard: with ISO5211 DIN3337 and VDI/VDE3845, NAMUR standard
- High strength extruded aluminum cylinder, the inner surface by fine grinding and hard anodic oxidation treatment, long service life, low friction coefficient, action quickly.
- Modern modelling, the structure is compact, more specifications to choose from, more economical and practical.
- Novel and unique design. The unique external stroke adjusting mechanism, convenient for plus or minus $\pm 5^\circ$ fully open or close two-way adjustment position.
- External structure of actuator, double-acting and single acting has a good interchangeability. (single-acting optional often closed or open)
- NAMUR standard multi-function position indicator, visual instructions, convenient installation and output all the accessories.
- Spring precompression load, safe and convenient installation and disassembly.
- Piston and end cover adopt the die casting aluminum alloy, high strength, light weight, beautiful appearance.
- Sealing materials, optional, the actuator can be applied to high or low temperatures.
- According to the need to provide a variety of angular travel (for example: 120 °C, 135 °C, 180 °C, etc.) and three type pneumatic actuators.
- Standard gas nipple holes, do not need connection board, solenoid valves can be installed directly, convenient and efficient.

Operating Conditions

Operating Conditions

- Dry clean air or inert gas, as well as internal components and actuators and the lubricant is compatible with non - corrosive gas.
- Dew point temperature is 20 °C + operating medium
- No more than 30 μ impurity particles in the medium size. (use the locator is used when impurity particles in the medium size no more than 5 μ)

Air pressure

- 3 bar to eight bar (the default selection, with five bar)

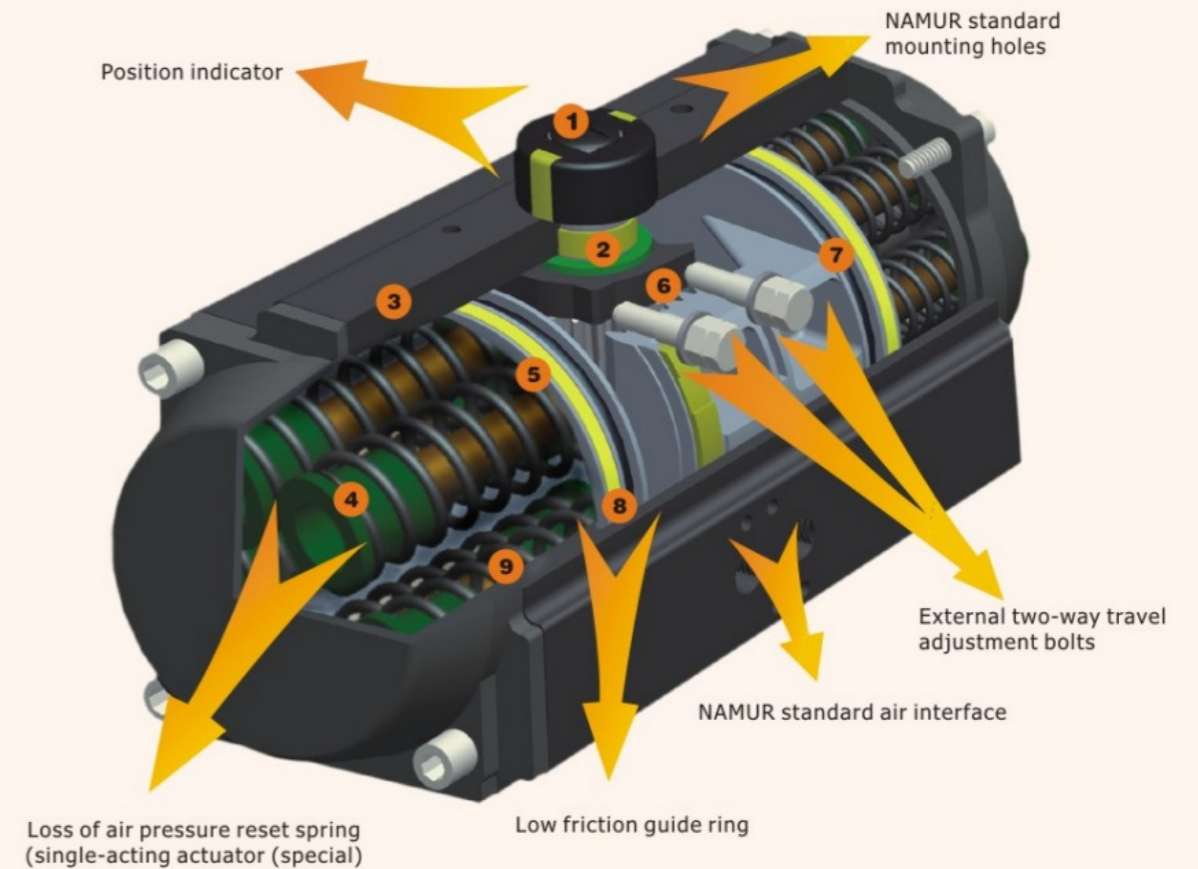
Working environment temperature

- Standard for -20°C to + 80°C
- Low temperature type -40°C to + 80°C
- Type high temperature was minus -20°C to + 160°C

lubrication

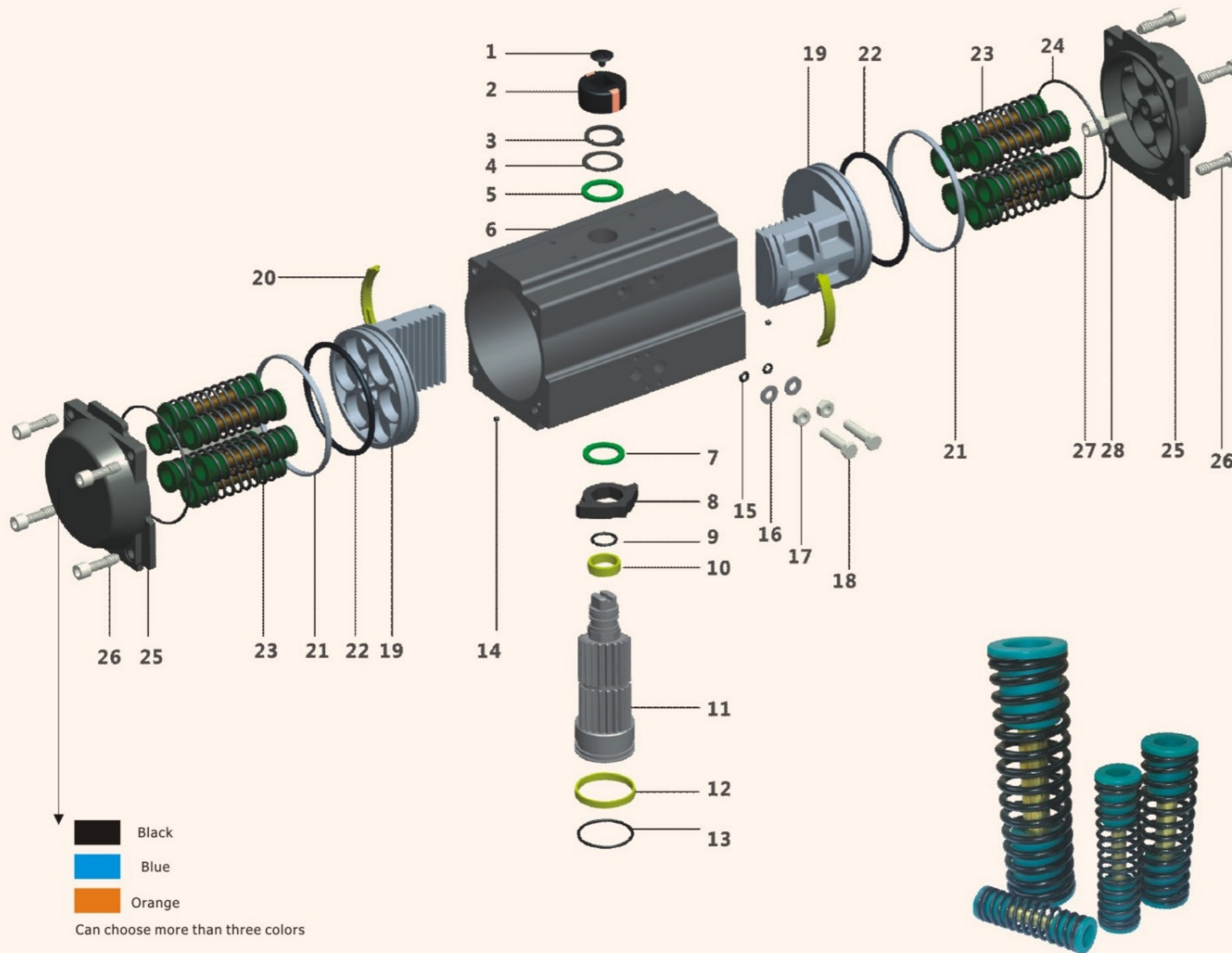
- Under the condition of normal use, standard without adding lubricant
- The use of low or high temperature place, need to use special type of grease

AT SERIES PNEUMATIC ACTUATORS



Actuator structure

1, the indicator (multi-function position indicator) NAMUR standard indicator switch indication at the same time, ease of installation position switch and positioner, etc.	4, end cover Gold at the end of the spray on the surface of the die casting aluminum alloy color, PTFE or nickel plating processing.	7, sealing Use under the working conditions of the nitrile rubber, on a high Temperature or low temperature using fluorine rubber or silicone rubber.
2, the output shaft Nickel plated alloy steel, high precision single unit output shaft, and at the same time Comply with NAMUR, with ISO5211 DIN3337 standard. According to the customer request custom sizes and stainless steel material.	5, the piston Dual piston rack, hard oxidation or adopt the die casting aluminum Cast steel galvanized (large size) processing, the installation position of Said, quick operation, long service life, simple and gorgeous Pour the piston can change the direction of rotation.	8, low-friction guide ring With low friction, long-life compound material, to avoid Direct contact of metals and metal, replacement of simple maintenance Convenient.
3, the cylinder body Hard aluminum alloy ASTM6005 body can be used The oxidation, epoxy resin coating (coating blue according to the requirements Color, orange, yellow, etc.), PTFE or nickel plated Different requirements.	6, the stroke control (external two-way stroke adjusting bolt) Two independent external stroke adjustment screw, you can For accurate limit, $\pm 5^\circ$ position, convenient, Reliable adjustment.	9, high performance spring (loss of air pressure reset spring) Made of high quality material, coating processing, preloading assembly. With strong corrosion resistance and service life. To be able to Safe, simple disassembly single-acting actuator, pass Change the spring quantity meet different torque output range.



Anti-corrosion Class

parts	Anti-corrosion Class	
	A	B
Cylinder block	Sclerosis of the anode	Teflon coating + anode hardening
End cover	Metal polyester coating	Teflon coating
output shaft	Carbon steel chemical nickel plating	Carbon steel chemical nickel plated or stainless steel
Use occasions	General situations	General occasions or low concentration acid environment

Parts And Materials

No.	Name	Number	material	Anticorrosive processing	Optional material
1	Indicator screw	1	plastic	-	-
2	indicator	1	plastic	-	-
3	circlip	1	Stainless steel	-	-
4	The gasket	1	Stainless steel	-	-
5	The gasket	1	Engineering plastics	-	-
6	Cylinder block	1	Cast aluminum	Hard anodized, etc.	-
7	The gasket	1	Engineering plastics	-	-
8	The CAM	1	Alloy steel	-	-
9	O ring on shaft	1	Nitrile rubber	-	Fluorine rubber/ silicone rubber
10	On the shaft bearing	1	Engineering plastics	-	-
11	Multi-functional gear shaft	1	Alloy steel	Nickel plating	Stainless steel
12	The shaft bearing	1	Engineering plastics	-	-
13	The axis O ring plug	1	Nitrile rubber	-	-
14	plug	2	Nitrile rubber	-	Fluorine rubber
15	Adjustment screw o-ring	2	-	-	-
16	Adjustment screw washer	2	-	-	-
17	Adjustment screw washer	2	Stainless steel	-	-
18	Adjust the bolt	2	-	-	-
19	piston	2	Aluminum/steel casting	Oxidation/galvanized	Stainless steel
20	piston guide	2	Engineering plastics	-	-
21	piston bearing	2	Engineering plastics	-	-
22	Piston ring O	2	Nitrile rubber	-	Fluorine rubber/ silicone rubber
23	spring	0-12	Spring steel	varnished	-
24	End cover o-ring	2	Nitrile rubber	-	Fluorine rubber/ silicone rubber
25	End cover	2	Cast aluminum	Powder coating, etc.	-
26	end cover dropping bolts	8	Stainless steel	-	-
27	Limit bolts	2	Stainless steel	-	-
28	Limit nut	2	Stainless steel	-	-

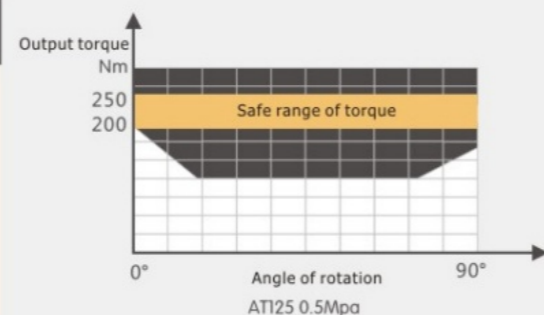
AT SERIES PNEUMATIC ACTUATORS

Actuator is Chosen

- When choosing pneumatic actuators, need to add TVC in valve torque have been identified;
- Clean, low friction lubrication medium increases 20% safe;
- Water vapor or the TVC lubricating liquid medium to increase 25%;
- 30% increase of lubricating paste liquid medium TVC;
- Dry gas medium is increased by 40% when the lubrication;
- The lubrication with gas particles powder medium increases 60% safe; (the above recommended secure value for the firm theory, for reference only)

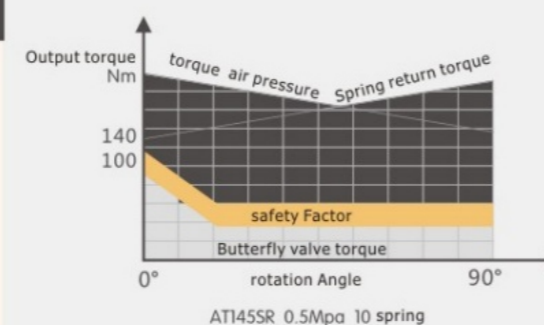
Double-acting actuators - choose the sample

When a need 200 nm of torque control ball valve, the air supply pressure is 0.5 Mpa, Medium for the lubrication of water vapor, considering safety factors, a 25% increase in TVC Is equal to 250 nm, according to the double function output torque table lookup air pressure 0.5 Mpa, And then along the column vertical search for equal or similar torque data, choose 268 nm, again Along the bank to the left to find its type, select AT125 type.



Single-acting actuator - choose the sample

When a need 100 nm of torque control ball valve, the air supply pressure is 0.5 Mpa, Medium for the lubrication of water vapor, considering safety factors, a 40% increase in TVC Is equal to 140 nm, according to the double function output torque table lookup air pressure 0.5 Mpa, And then along the column vertical search for equal or similar torque data, choose 268 nm, again Along the bank to the left to find its type, select AT125 type. Along the bank and then to the left to find the end of the air pressure 0.5 MPa 171.7 Nm torque, torque of the air pressure and spring return torque must be considered Relative force balance, and then along the bank to the left to find the model number and spring, choose AT145SR, 10 spring.



Order Information

- ★ Valve type, pressure of work, specifications, sealing form (hard or soft) using medium and the working environment temperature;
- ★ Pneumatic actuators: double-acting and single acting (closed or open);
- ★ Electromagnetic valve: double electric control solenoid valve, whether single electronic control solenoid valve, using voltage, explosion-proof;
- ★ Limit switch: ordinary, explosion-proof;
- ★ Locator: pneumatic positioner, current signal, pressure signal, electrical switches, explosion-proof type;
- ★ Air source treatment sanlian pieces;
- ★ Manual device;
- ★ Special custom;
- ★ Imported accessories should be special instructions;

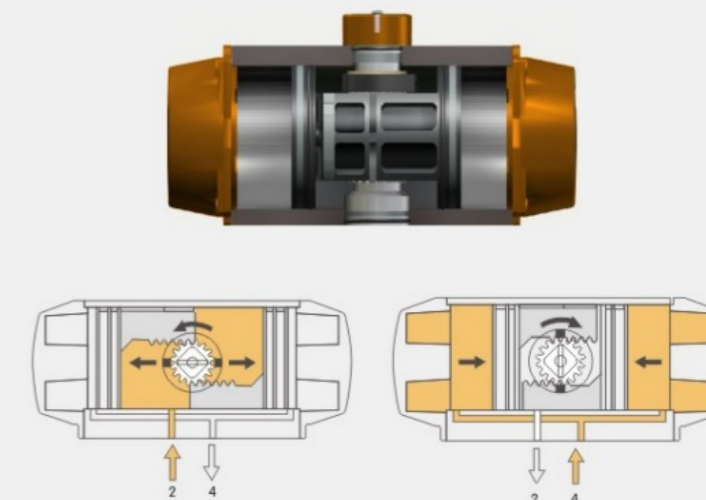
AT SERIES PNEUMATIC ACTUATORS

Double-acting actuators-Working principle

When the air pressure from the port (2) into the cylinder between the pistons lumen, makes the separation to the direction on both ends of the cylinder, piston chamber on both ends of the air through the intake (4), and synchronize the two piston rack drives the output shaft (gear) counterclockwise.

And air pressure from the port (4) into the cylinder between the pistons lumen, separate the two piston to move on both ends of the cylinder, the air cavity in the middle of the air through the intake (2), and synchronize the two piston rack drives the output shaft rotate clockwise (gear).

(if the piston relative to reverse direction installation, output shaft into a reverse rotation)



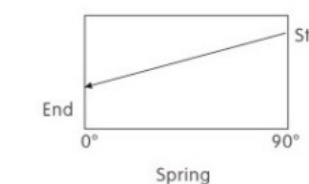
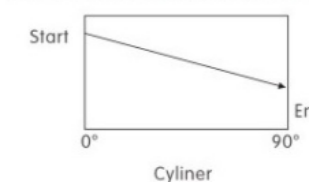
AT Double Acting Type Actuator Output Torque

Model	Input air pressure (units bar)					
	3.0	4.0	5.0	6.0	7.0	8.0
AT032	4.6	6.1	7.6	9.2	10.7	12.2
AT052	12.0	16.0	20.0	24.0	28.0	32.0
AT063	21.7	28.9	36.1	43.4	50.6	57.8
AT075	35.0	46.6	58.3	69.9	81.6	93.2
AT083	42.8	57.0	71.3	85.5	99.8	114.0
AT092	67.6	90.1	112.6	135.2	157.7	180.2
AT105	97.7	130.3	162.9	195.5	228.0	260.6
AT125	173.3	231.0	288.8	346.5	404.3	462.0
AT140	260.7	347.6	434.5	521.4	608.3	695.2
AT160	397.2	529.6	662.0	794.4	926.8	1059.2
AT190	640.2	853.6	1067.0	1280.4	1493.8	1707.2
AT210	879.8	1173.1	1466.4	1759.7	2052.9	2346.2
AT240	1379.0	1838.6	2298.3	2757.9	3217.6	3677.2
AT270	1939.2	2585.6	3232.0	3878.4	4524.8	5171.2

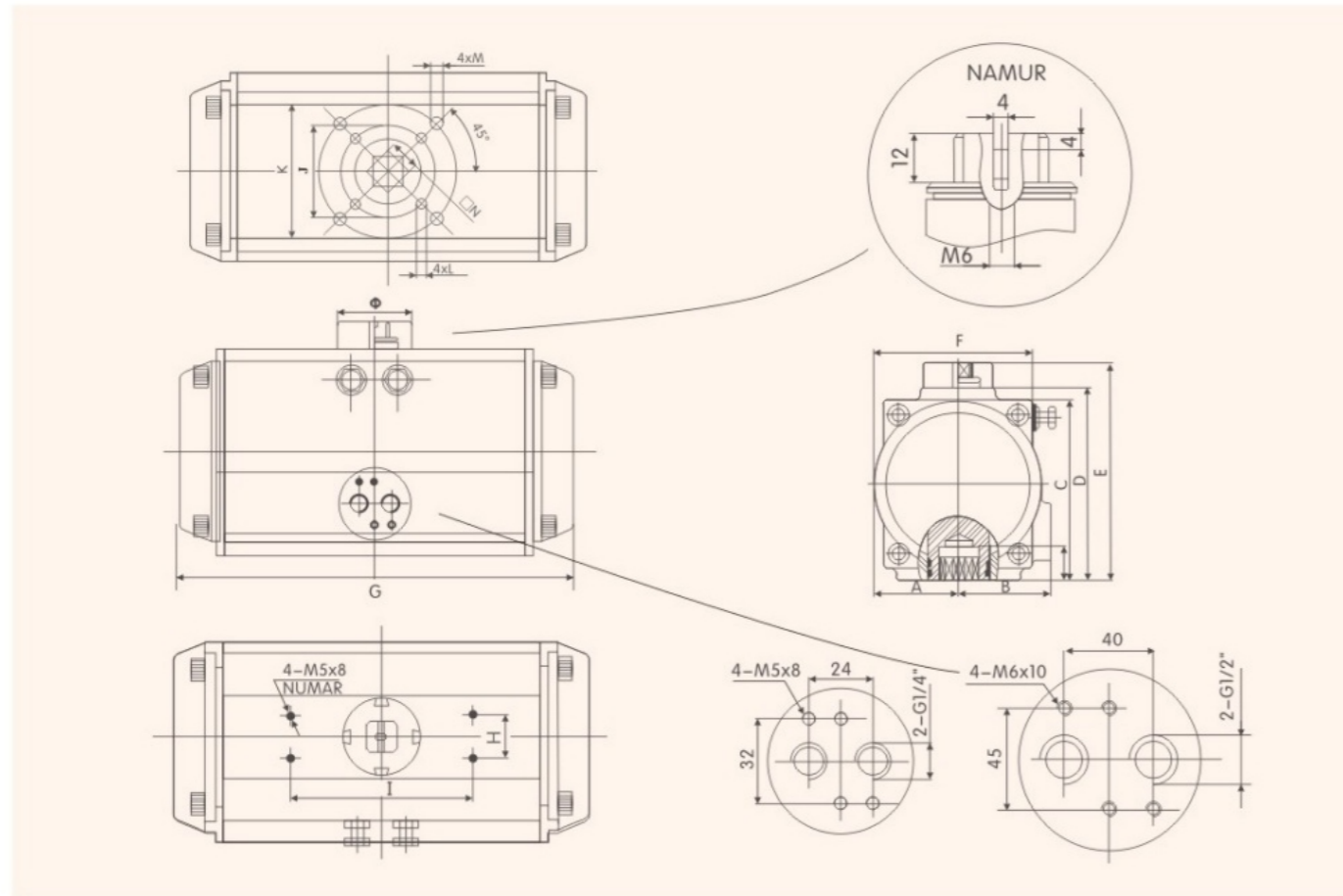
Torque diagram double acting actuators



Torque diagram single acting actuators



AT SERIES PNEUMATIC ACTUATORS

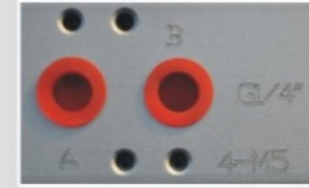


Size Table

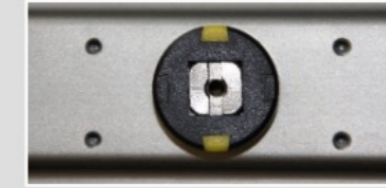
Model	A	B	C	D	E	F	G	H	I	J	K	L	M	□N	Z	Φ	Air connection
AT52	30	41.5	65.5	72	92	65	147	30	80	F03	F05	M5 × 8	M6 × 10	11	14	Φ40	NAMUR G1/4"
AT63	36	47	81	87.5	107.5	72	168	30	80	F05	F07	M6 × 10	M8 × 13	14	18	Φ40	NAMUR G1/4"
AT75	42	53	94	99.5	119.5	81	184	30	80	F05	F07	M6 × 10	M8 × 13	14	18	Φ40	NAMUR G1/4"
AT83	46	57	98.5	108.7	128.7	92	204	30	80	F05	F07	M6 × 10	M8 × 13	14	21	Φ40	NAMUR G1/4"
AT92	50	58.5	111	116.8	136.8	98	262	30	80	F05	F07	M6 × 10	M8 × 13	14	21	Φ40	NAMUR G1/4"
AT105	57.5	64	122.5	133	153	109.5	268	30	80	F07	F10	M8 × 13	M10 × 16	17	26	Φ40	NAMUR G1/4"
AT125	67.5	74.5	145.5	155	175	127.5	296	30	80	F07	F10	M8 × 13	M10 × 16	22	26	Φ55	NAMUR G1/4"
AT140	75	77	160.75	171.5	191.5	137.5	390	30	80	F10	F12	M10 × 16	M12 × 20	27	31	Φ55	NAMUR G1/4"
AT160	87	87	184	197	217	158	454	30	80	F10	F12	M10 × 16	M12 × 20	27	31	Φ55	NAMUR G1/4"
AT190	103	103	216	230	260	189	525	30	130		F14		M16 × 25	36	40	Φ80	NAMUR G1/4"
AT210	113	113	235.5	255	285	210	532	30	130		F14		M16 × 25	36	40	Φ80	NAMUR G1/4"
AT240	130	130	264	288	318	245	610	30	130		F16		M20 × 25	46	50	Φ80	NAMUR G1/4"
AT270	147	147	299	326	356	273	722	30	130		F16		M20 × 25	46	50	Φ80	NAMUR G1/2"
AT300	162	162	348	348	378	324	742	30	130	F16	F20	M20 × 25	M20 × 25	46	60	Φ80	NAMUR G1/2"
AT350	190	190	402	402	432	380	860	30	130	F16	F20	M20 × 25	M20 × 25	46	60	Φ80	NAMUR G1/2"

AT SERIES PNEUMATIC ACTUATORS

Mounting Holes



● Air interface accord with NAMUR standard, it can be easy and convenient to install solenoid valves



● Standard NAMUR standard groove and the output shaft of the upper cylinder body mounting holes, can make the limit switch, locator directly meshing and installation



● AT the bottom of the mounting hole accords with ISO5211, DIN3337 standard design, can be directly installed the clutch pneumatic wheel (institution) or mounting bracket.

Weighing Scale

Model	Double-acting perform highly quantity (KG)	Single-acting perform highly quantity (KG)	Model	Double-acting perform highly quantity (KG)	Single-acting perform highly quantity (KG)
AT052	1.4	1.5	AT160	20.1	24
AT063	2.0	2.1	AT190	31.3	35.3
AT075	2.7	2.9	AT210	46.8	54.8
AT083	3.1	3.6	AT240	67.3	80.2
AT092	4.6	5.2	AT270	96.9	118
AT105	6.8	6.9	AT300	110	130
AT125	9.0	10.1	AT350	186	234
AT140	13.2	15.6			

Gas consumption

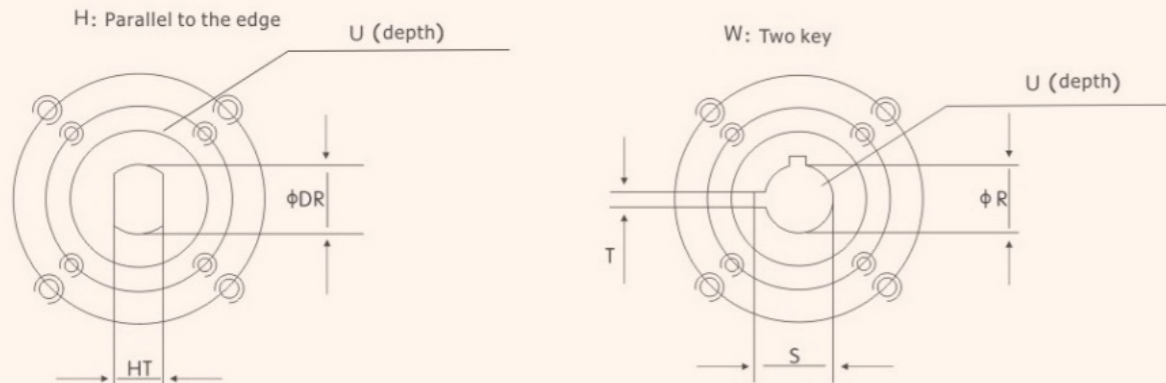
Model	Open the volume (liters)	Close to the volume (liters)	Model	Open the volume (liters)	Close to the volume (liters)
AT052	0.12	0.16	AT160	3.7	3.2
AT063	0.21	0.23	AT190	5.9	5.4
AT075	0.30	0.34	AT210	7.5	7.5
AT083	0.43	0.47	AT240	11.0	9.0
AT092	0.64	0.73	AT270	17.0	14.0
AT105	0.95	0.88	AT300	23.8	29.7
AT125	1.60	1.40	AT350	35.1	46.3
AT140	2.50	2.20			

Switch time

Model	Open to the time (seconds)	Close to the time (seconds)	Model	Open to the time (seconds)	Close to the time (seconds)
AT052	0.2	0.3	AT160	1.5	1.7
AT063	0.3	0.3	AT190	2.0	2.2
AT075	0.3	0.4	AT210	2.7	3.2
AT083	0.4	0.5	AT240	3.5	4.0
AT092	0.5	0.6	AT270	4.0	4.5
AT105	0.7	0.8	AT300	5.0	5.5
AT125	0.9	1.1	AT350	6.0	7.0
AT140	1.2	1.4			

AT SERIES PNEUMATIC ACTUATORS

Output Hole Connection Dimension (custom)(mm)

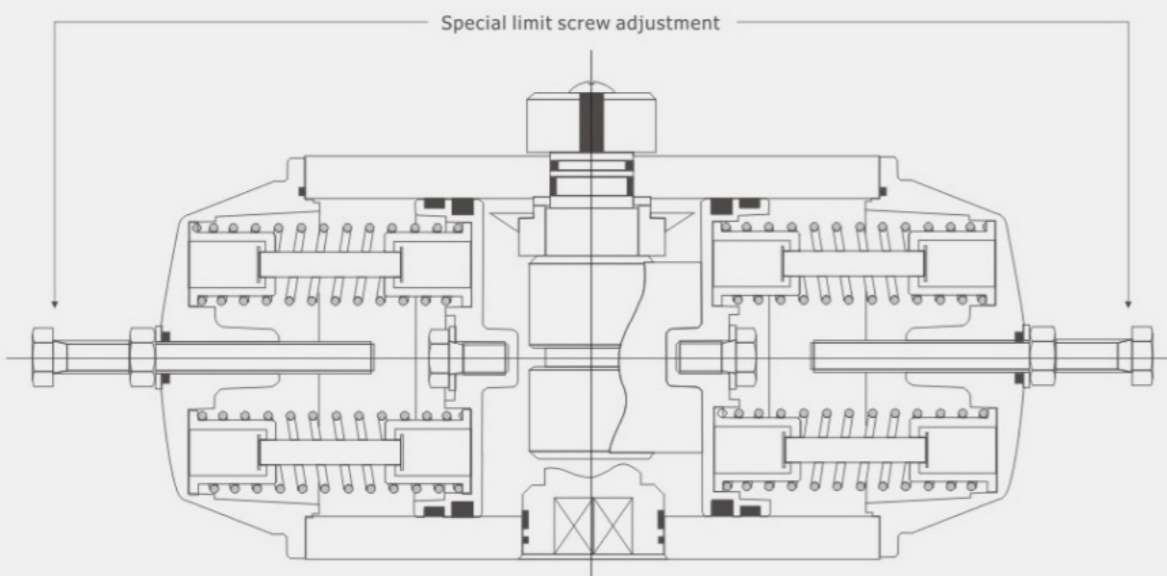


Model	AT52	AT63	AT75	AT83	AT92	AT105	AT125	AT140	AT160	AT190	AT210	AT240	AT270	AT300
	DA/SR	DA/SR	DA/SR	DA/SR	DA/SR	DA/SR	DA/SR	DA/SR	DA/SR	DA/SR	DA/SR	DA/SR	DA/SR	DA/SR
φR	12.7	12.7	12.7	15.88	19.05	22.23	22.23	28.58	28.58	31.75	31.75	33.34	38.1	41.28
S	14.2	14.2	14.2	18.4	21.6	24.8	24.8	32.1	32.1	35.3	35.3	37.4	42.4	45.3
T	3	3	5	5	5	5	5	8	8	8	8	10	10	12
U	32	32	32	32	32	45	45	45	45	45	45	51	51	65
φDA	13	13	13	16.1	19.2	22.4	22.4	28.8	28.8	32	32	33.6	38.4	41.5
HT	10	10	10	12	14	17	17	22	22	24	24	27	27	32

All limit actuator travel adjustment

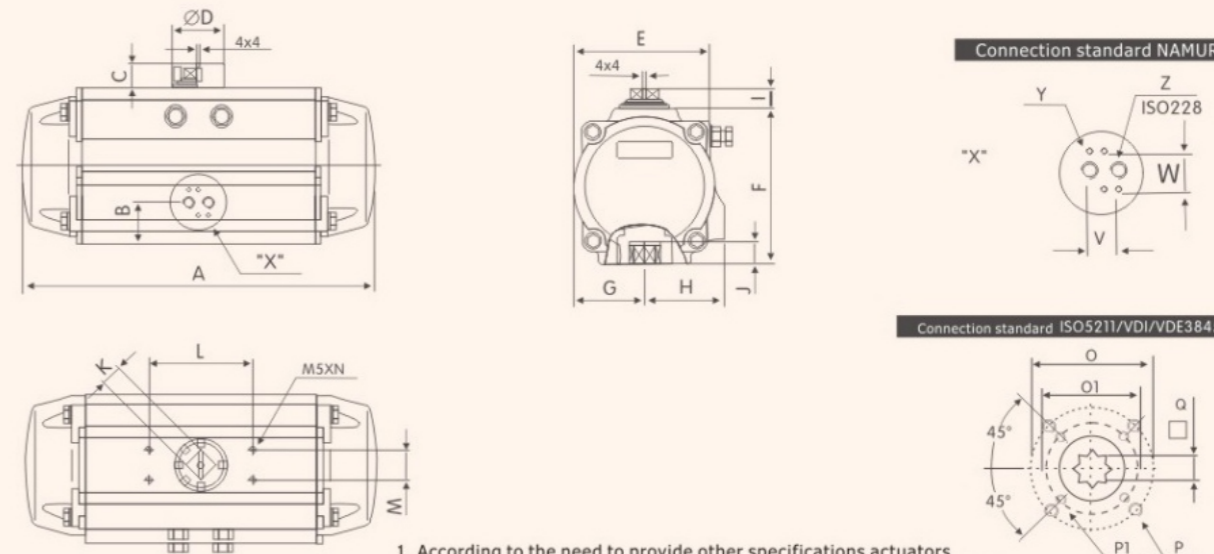
New type of pneumatic actuator at both ends to provide special regulation limit screw, customers can according to need to adjust

0° — 90°、0° — 120° or 0° — 180° range at any Angle, can be carried out in all series of actuators on the whole.



AT SERIES PNEUMATIC ACTUATORS

120°/ 180° Schedule the appearance of actuator and connection size (double)

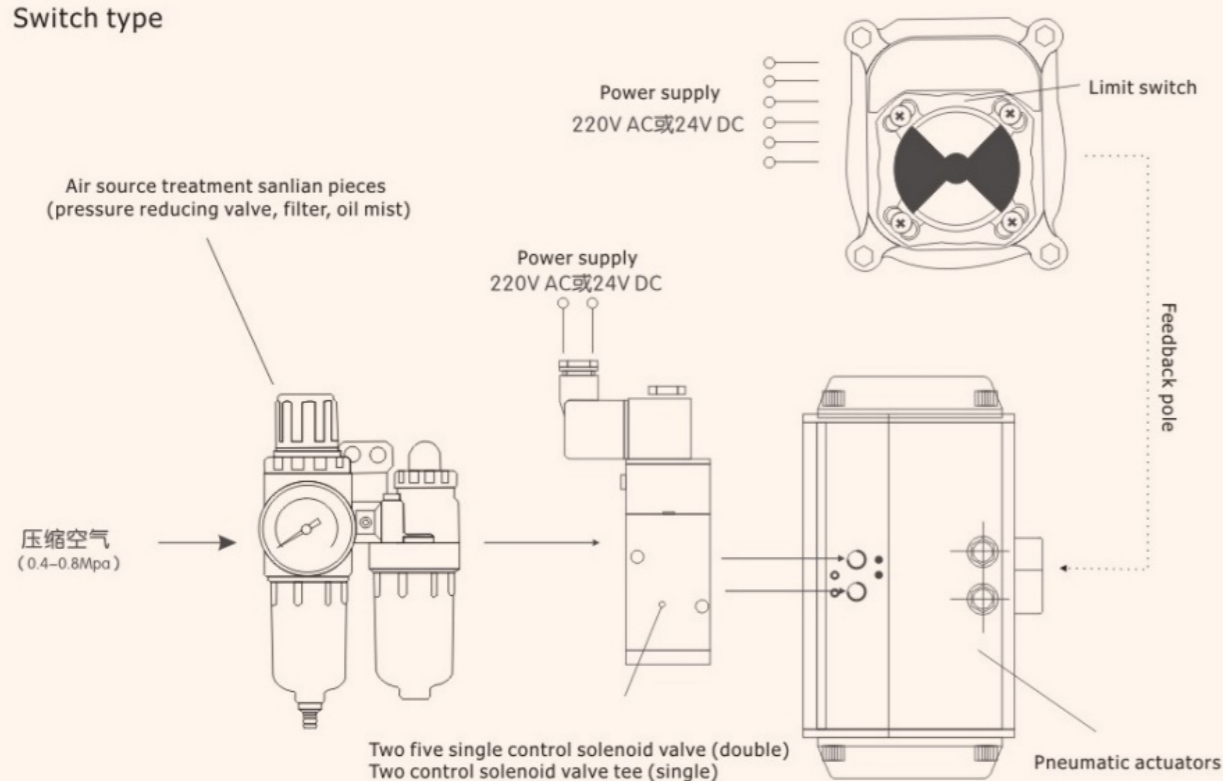


- 1, According to the need to provide other specifications actuators
- 2, Can provide different stroke of actuators. Such as 140°/160° schedule

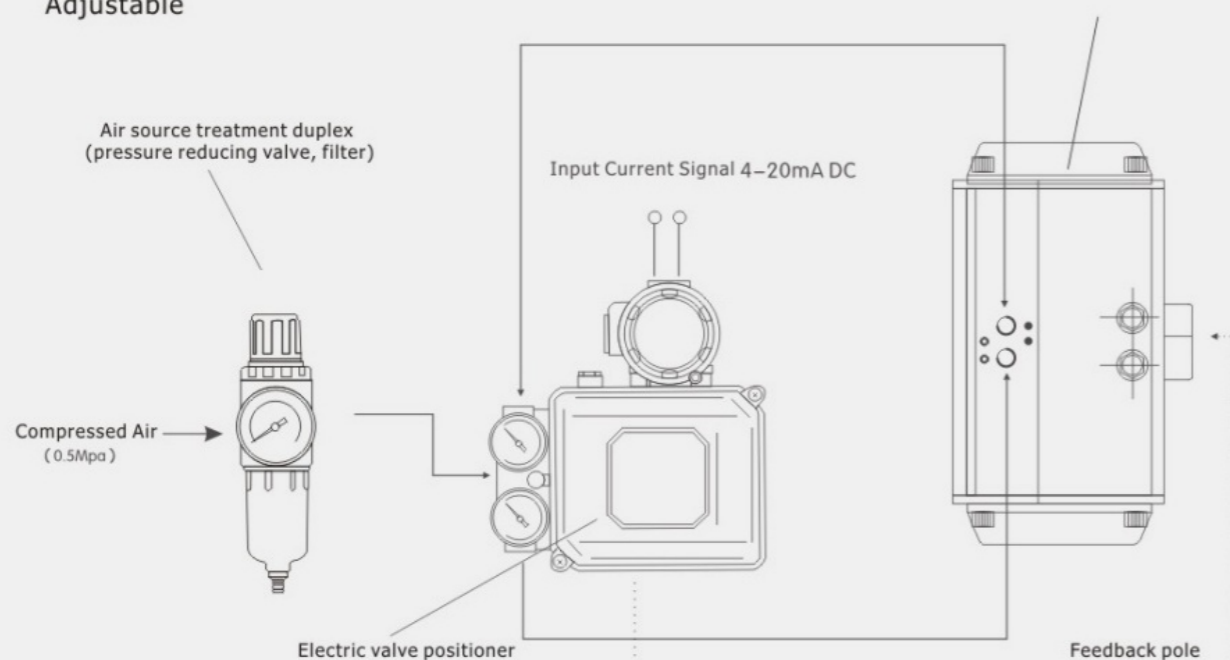
Model	AT52	AT63	AT75	AT83	AT92	AT105	AT125	AT140	AT160	AT190	AT210	AT240	AT270	AT300
	DR	DR	DR	DR	DR	DR	DR	DR	DR	DR	DR	DR	DR	DR
ISOflange	-	F05	F05-07	-	F07-10	-	F07-10	-	F10-12	-	F14	-	-	-
A (120°)	-	183	243	-	309	-	397	-	504	-	622	-	-	-
A (180°)	-	225	305	-	385	-	498	-	630	-	775	-	-	-
B	-	30	30.5	-	37.5	-	45	-	52	-	62.5	-	-	-
C	-	20	20	-	20	-	30	-	30	-	50	-	-	-
φD	-	40	40	-	40	-	56	-	65	-	80	-	-	-
E	-	72	84.5	-	111	-	136	-	169	-	213	-	-	-
F	-	85	102	-	127	-	157	-	196	-	245	-	-	-
G	-	36	42.5	-	56	-	69.5	-	88	-	110	-	-	-
H	-	47	52	-	67	-	82	-	99	-	112	-	-	-
I	-	14.5	14.5	-	14.5	-	24.5	-	24.5	-	44.5	-	-	-
Jmim	-	16	16	-	19	-	24	-	29	-	38	-	-	-
K	-	11	17	-	17	-	27	-	27	-	36	-	-	-
L	-	80	80	-	80	-	80	-	80	-	130	-	-	-
M	-	30	30	-	30	-	30	-	30	-	30	-	-	-
N	-	8	8	-	8	-	8	-	8	-	8	-	-	-
φO1	-	50	50	-	70	-	70	-	102	-	140	-	-	-
φO	-	---	70	-	102	-	102	-	125	-	---	-	-	-
PI	-	4-M6	4-M6	-	4-M8	-	4-M8	-	4-M10	-	4-M16	-	-	-
P	-	---	4-M8	-	4-M10	-	4-M10	-	4-M12	-	---	-	-	-
Q	-	14	14	-	17	-	22	-	27	-	36	-	-	-
φR	-	-	-	-	-	-	-	-	-	-	-	-	-	-
S	-	-	-	-	-	-	-	-	-	-	-	-	-	-
T	-	-	-	-	-	-	-	-	-	-	-	-	-	-
U	-	-	-	-	-	-	-	-	-	-	-	-	-	-
V	-	24	24	-	24	-	24	-	24	-	24	-	-	-
W	-	32	32	-	32	-	32	-	32	-	32	-	-	-
Y	-	M5x8	M5x8	-	M5x8	-	M5x8	-	M5x8	-	M5x8	-	-	-
Z	-	1/8"	1/8"	-	1/4"	-	1/4"	-	1/4"	-	1/4"	-	-	-

Control system wiring diagram

Switch type



Adjustable



Common Failure Inspection And Elimination Method

Fault Phenomenon	Check The Project	Solution
Pneumatic valve cannot move	1, Electromagnetic valve is normal, the coil is burnt, electromagnetic valve core has been dirt stuck.	Replace the solenoid valve, replace the coil, to remove dirt
	2, the pneumatic actuators separate gas test, check the sealing ring and the cylinder is damaged.	Replacement has bad sealing ring and cylinder
	3, there is impurity will valve core, valve stuck.	Remove impurities, there is a replacement has been damaged
	4, manual institutions handle in position to manually	Turn the lever to pneumatic position.
Slow and crawl	1, the air pressure is not enough.	Increase the air pressure(0.4~0.7MPa)
	2, pneumatic actuator output torque is too small.	Increase specifications of pneumatic actuators
	3, valve core, or other valve assembly is too tight.	Reassemble adjustment
	4, gas pipeline blockage, too much too small.	Eliminate congestion, replace the filter cartridge
To reply, no signal	1, the power line is short circuit or open circuit.	Maintenance the power line
	2, reply in CAM position is not accurate.	Adjust the CAM to the right place
	3, the micro switch is damaged.	Change the micro switch

AT SERIES PNEUMATIC ACTUATORS

Gas source sanlian pieces



The air handling sanlian pieces including air pressure reducing valve, filter, oil mist device 3 big. Pressure reducing valve can be regulated for air source air source, and so is in a constant state, because of air pressure can be reduced with mutations in the valve or actuator and other hardware damage. Filters for air cleaning, filtering the moisture in compressed air, avoid water enters the device with the gas. Oil mist lubrication on the body moving parts for, can to lubrication of parts is not convenient to add lubricant, greatly extend the service life of the body.

Technical parameters

Model	AFC1500	AFC1500	AC2000	AFC3000
Constitute a component	filter	AF1500	AFR1500	AF2000
	Pressure regulating valve	AR1500		Ar2000
	Oil feeder	AL1500	AL1500	AL2000
weight	0.7kg	0.5kg	0.7kg	0.5kg
To take over the diameter	1/4		1/4	
Working medium	air			
Filter accuracy	40 μ			
Using the pressure range	Manual drainage : 0.05~0.85Mpa			
maximum adjustable pressure	0.95Mpa			
Ensure that resistance to pressure	1.5Mpa			
Using the temperature range	5~60℃			
Filter cup capacity	15CC			
To the oil cup capacity	25CC			
Recommended lubricating oils	ISO VG32 Or oil at the same level			

AT SERIES PNEUMATIC ACTUATORS

Limit switch



APL series valve position feedback device is testing the valve in the state of a kind of automatic control system, field instruments to the valve open or closed position to switch signal output (contact), and accepted by the programmable device or computer samples, confirm and executing the next program. This product can be as important in autonomous system interlock protection and remote alarm indication.

Technical parameters

Model	APL-3N series		APL-4N series	
	standard	options	standard	options
Connection port	2X1/2 NPT	PT1/2 PFI/2 M20,PG13.5	2X3/4NPT	PT3/4 PF3/4
Terminal blocks	8	9~24	8	9~24
	0~90°	0~180°	0~90°	0~180°
temperature	-25~85℃			
Position indicator	Open - yellow; Close - red			
micro switch	Mechanical, induction, spring proximity			
potentiometer	1K ohm (0~5k ohm, 0~10k ohm,)			
Current feedback	4~20mA (20~4mA)			
shell	IP67		IP67 Eexd II BT6 (EN50014/50018)	

Solenoid valve



4 v, 4 m series solenoid valves for pneumatic valves "open" or "off" the electrical control operation. Accord with NAMUR standard connection, Among them 4 m series solenoid valve can be directly installed in the side of the pneumatic actuators, don't need to pipe connection. According to the instrument Control systems need to choose single or double electric control electric control. Two five-way solenoid valve with double acting type actuator, Both the 3-way magnet valve (with single-acting actuator). At the same time, the product has the basic (IP67) and explosion-proof type, Explosion-proof level for Exd IIBT4 its explosion-proof level apply to factory and explosive environment. Also can according to need to choose the suitable voltage.

Standard voltage: DC 24 v, 220 v AC
4.3 VA DC3W consumed power: standard coil, AC

Technical parameters

Model	4V210	4M210	4V310	4M310
		4V220	4M220	4V320
Working medium	Air (40 micron strainer filter)			
interface	Air inlet G1/4		Air inlet G1/4	
effective cross-sectional area (nm ²)	35			
lubrication	Don't need (or oil)			
Pressure of work	0.15~0.8			
Working temperature	0~50 (Under the condition of not freeze)			
Voltage range	15%			
Power consumption	AC220V: 3.9VA, 6.0VA, 8.5VA D C 24V: 2.5W, 4.8W			
Turnaround time	0.05			
manually	Replaced the reversing (press the rotation can be self-locking)			
basic	IP65			
Explosion-proof type	Exd B14 (optional)			

locator



YT - 1000 r series electrical continuity of the valve positioner is digestion, absorption, domestic in the ninety s Similar products outside the most advanced technology of design and manufacture of a new generation of products, with high precision, Features (output, can choose according to the characteristics of output traffic is adjustable, general compatibility strong, positive and negative Function and the Angle of straight trip itinerary can transform. Composite explosion-proof), stable and reliable performance, convenient installation and debugging, etc.

YT - 1000 r series electrical continuity of the valve positioner and pneumatic regulator is used, the standard of or process of dc current signal corresponding to the pneumatic operation signal drive control valve, the displacement feedback at the same time, in order to make the valve opening position accurately with the input signals corresponding to the position.

Technical parameters

Model	YT-1000R
input signal	4~20mADC
input impedance	250 Ω ± 5%
output characteristics	百分比
Air pressure	0.14~0.7Mpa
output pressure	0~0.7Mpa
Angular travel	0~90°
Gas consumption	output while the other 50% gas consumption Single acting : 140kpa Air pressure = 5NI/mim Double acting: 400kpa Air pressure = 5NI/mim
Maximum processing capacity	Output when the lateral air object completely Single acting : 140kpa Air pressure=175NI/mim Double acting: 400kpa Air pressure=400NI/mim
linearity	± 2%
Degree of lag	1%
sensitivity	± 0.5%
repetitive	± 0.5%
environment temperature	-20℃~+80℃
Explosion-proof grade	Outdoor waterproof model (increased safety type) e Exe II T6、IP55、IP65 Withstand voltage explosion-proof type, flameproof d Exd II BT6 (optional) Intrinsically safe type. (Ann) i Ex in II Ct6 (optional)
Air interface	G1/4
Electrical interface	G1/2
Pressure gauge interface	G1/8
shell material	Cast aluminum alloy (spray coating)
weight	



Pneumatic three-way ball valve



Pneumatic with floating manually ball valve



Pneumatic fixed ball valve



pneumatic Insulation ball valve



Pneumatic clamp thin ball valve



Pneumatic stainless steel floating ball valve



Pneumatic Vt adjustment ball valve



pneumatic Three type ball valve



Pneumatic sealing clamp butterfly valve



Pneumatic stainless steel clamp butterfly valve



Pneumatic with manually flange butterfly valve



Pneumatic fluorine clamp butterfly valve