

TANA[®]


WENZHOU TOPNOTCH MACHINE CO.,LTD.

Add:Heyi Industrial Zone, Oubei Town,Yongjia,Wenzhou,Zhejiang,China 325105
Tel:+86-577-67318591
Fax:+86-577-67328591
Mobile:+86-18906638592
E-mail:market@tanamachine.com
Website:www.tanamachine.com



TANA[®]



 +86-577-67318591

www.tanamachine.com

WENZHOU TOPNOTCH MACHINE CO.,LTD.

TANA[®]

TANA VALVE

Technology first, Quality is life



TANA®

Technological process 工艺流程



Corporation Culture 企业文化

公司宗旨：居高不做、努力创造、突破科技、精诚团结

质量目标：质量第一、效率第一

管理理念：以标准为基础，以规范为目标

经营理念：客户的要求，就是我们的追求，诚信服务，塑造品质

发展方针：科技与人才并重，质量与服务同行

发展目标：创新无限制，不断开发新产品，持续发展新道路，开拓阀门新业绩，铸“泰纳”永久品牌

市场服务：市场是企业生存的土地，是品牌竞争的阵地。营销不再是一般简单的销售，而是努力成为企业与客户之间交流融合的纽带。

Corporation purpose: Senior but not arrogant, try hard to create, bread through science, unity in good faith

Quality purpose: Quality first, efficiency first,

Management concept: Base on criterion, aiming at standardizing

Sales concept: We pursue what clients require, supplying sincere service and mold good quality

Development policy: Concentrate both on science and person, quality compared with service

Development purpose: Creation is not limited, exploit new products continuously, sustained to develop new road, open up new valve achievement, mold "TANA" permanent brand

Market service: Market is the soil to culture a corporation and a place of brand to contest.

Salesmanship means not just to sale something only, but a bridge between corporation and customer to communicate

TANA®
WENZHOU TOPNOTCH MACHINE CO.,LTD.



Brief Introduction

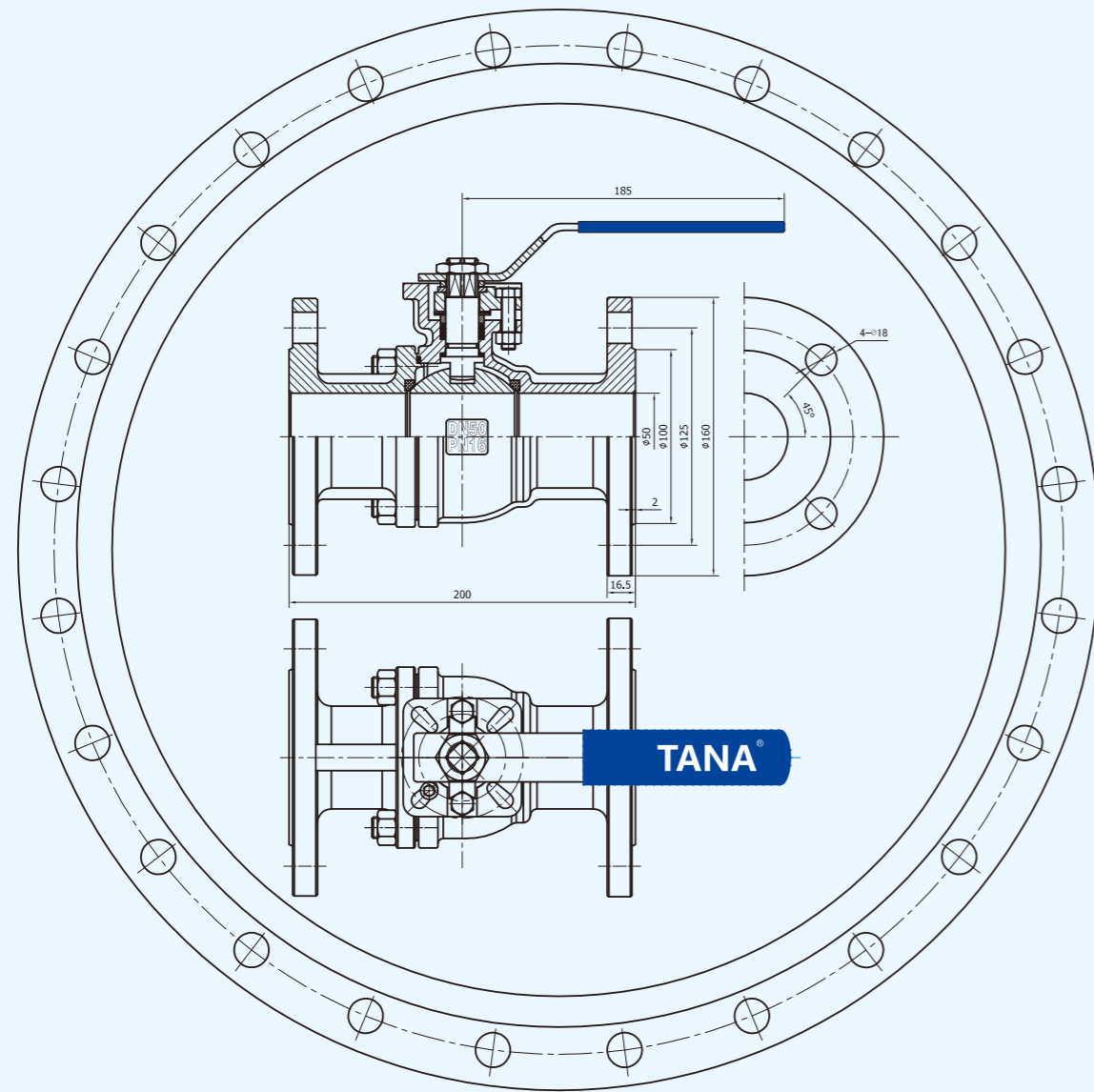
Wenzhou Topnotch Machine Co.,Ltd., brand name TANA .established in the year 2003, located at China famous pump&valve TownOubei,Wenzhou. We'respecializedinproducing and marketing all kinds of industrial valves,pump & actuators. Our corporate Vision is to be a pipeline control specialist by supply products and help our valued customersolve their problems with excellent sales & after-sales service, and also reasonable price.

Over the years, we already have expanded our operations with team of well experienced design,manufacturing and marketing engineers. We have 100 -150employees, around 50 sets advantaged producing equipments, which ensure our production ability. Our products have been widely application in the gas, oil, refining, chemical, marine, power generation and pipeline transmission industries. And 80% of products are supplied to SoutheastAsia, the Middle East, North America, Europe and Africa, more than 30 oversea countries' we have accumulated good reputation from our clients.

Quality is at the heart of everything we do, through product development to manufacturing, supply and sale. We make products strictly according to International standards & clients' requirements, and have established quality control system to ensure us offer the high quality products.

"Keep the promise and offer the top-class products & service" is our principle, we believe that we can establish and maintain long term win-win cooperation through our mutual effort by reasonable price, good quality product and best service.

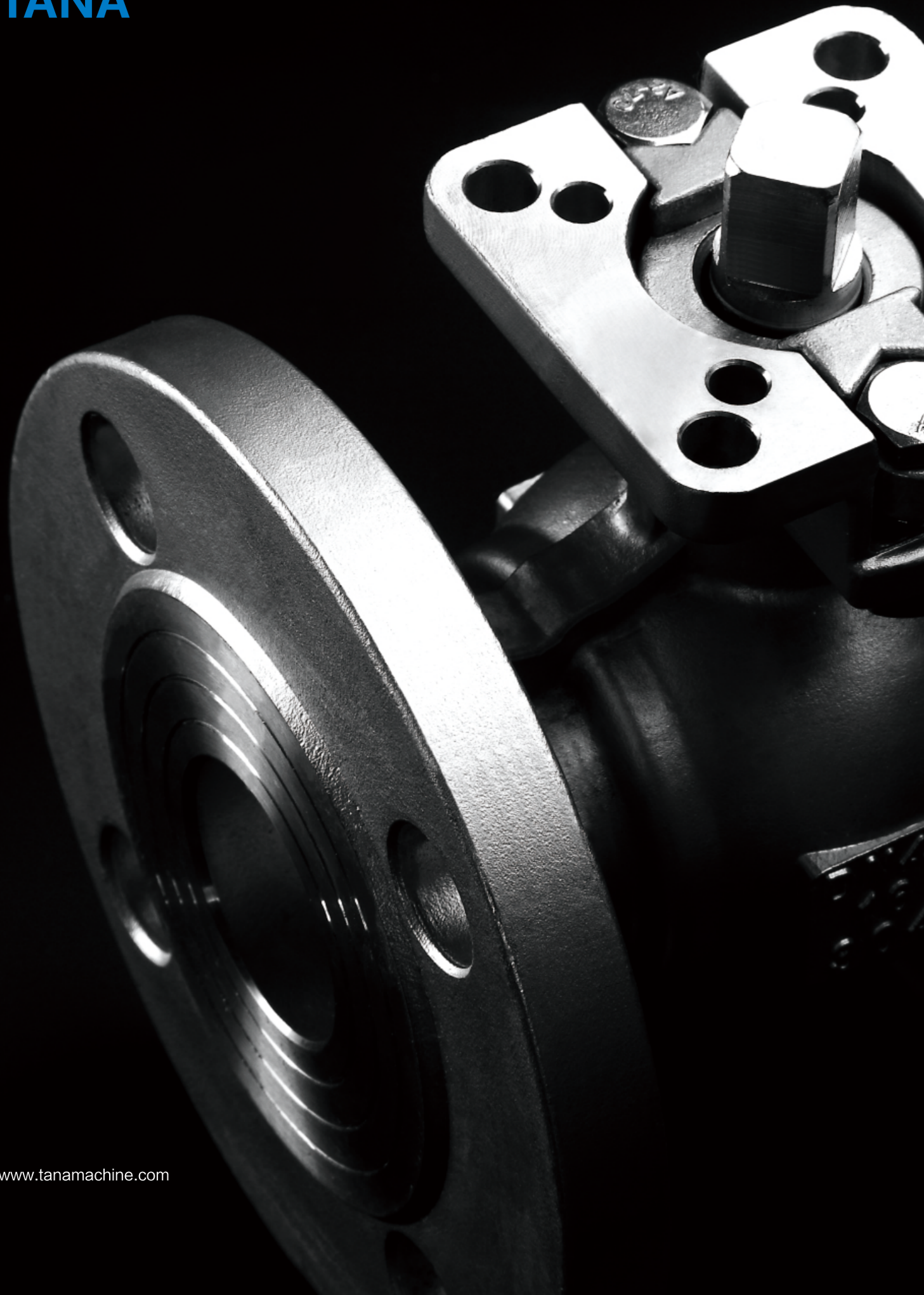
Welcome to contact us, thank you!



TANA VALVE...
TANA PRODUCTS...

目录 Contents

两片式全通径高平台法兰球阀 Full Port Two-piece Direct Mounting Pad Ball Valve Flange End	02-08
一片式薄型高平台法兰球阀 Full Port One-piece Direct Mounting Pad Ball Valve Flange End	09-10
三片式高平台法兰球阀 Full Port Three-piece Mounting Pad Ball Valve Flange End	11-13
螺纹阀门系列 Thread Valve Series	15-16
三片式法兰球阀 Full Port Three-piece Ball Valve Flange End	14
一片式六角球阀 Reduceport 1pc-henhon Ball Valve Thread End	17
一片式带锁球阀 1PC Lock Type Ball Valve Thread End	18
两片式内螺纹球阀 2PC Ball Valve Thread End	19-20
两片式2000WOG球阀 2PC 2000WOG Type Ball Valve Thread End	21
两片式内外螺纹球阀 2PC Ball Valve Thread End (Female-male)	22
两片式高平台内螺纹球阀 2PC Ball Valve Mouning Pad Thread End	23
三片式高平台内螺纹球阀 3PC Ball Valve Mouning Pad Thread End	24
高平台及气动电动阀门系列 Mouning Pad Series And Pneumatic And Economic Valve Series	25-26
三片式内螺纹球阀 3PC Ball Valve Thred End&butt Weld End	27-28
三片式快装球阀 3PC Clamped-package Ball Valve Flange End	29
三片式带接管焊接球阀 3PC WELDED BALL VALVE WITH CONNECTION PIPE	30
三片式加长对焊球阀 3PC Ball Vele Long Butt Weld	31
三片式卫生级短对焊球阀 3PC Ball Valve Short Weld End	32
三通内螺纹球阀 THREE WAY BALL VALVE THREAD END	33
三通高平台内螺纹球阀 Three Way High Platform Inner Thread Ball Valve	34
内螺纹闸阀 Thread Gate Valve	35
内螺纹截止阀 Thread Globe Valve	36
Y型内螺纹过滤器 Y Type Strainer Thread End	37
Y型软密封内螺纹止回阀 Y Type Soft Sealing Check Valve Thread End	38
内螺纹旋启式止回阀 Thread Swing Check Valve	39
内螺纹立式止回阀 Spring Check Valve Thread End	40
国标内螺纹截止阀 GB Globe Valve Thread End	41
国标内螺纹止回阀 GB Check Valve Thread End	42
快速接头系列 Quick Connector Series	43
丝扣管件系列 Threaded Pipe Fittings Series	44
卫生级管件系列 Sanitary Pipe Fittings Series	45
卫生级阀门系列 Sanitary Valve Series	46

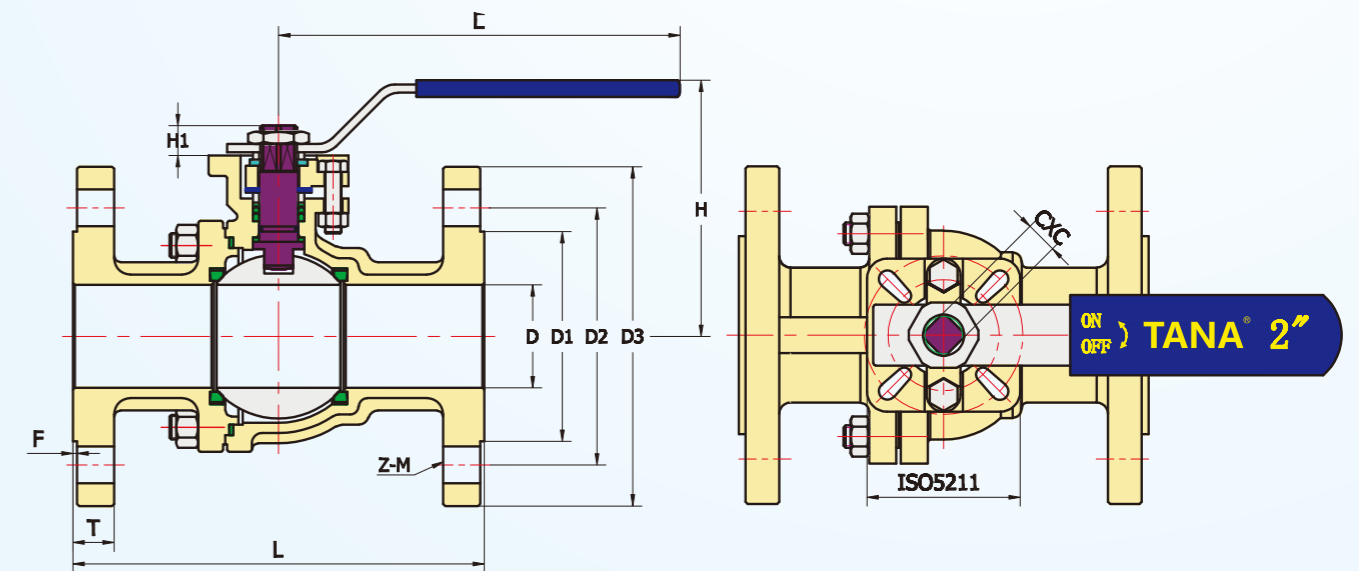
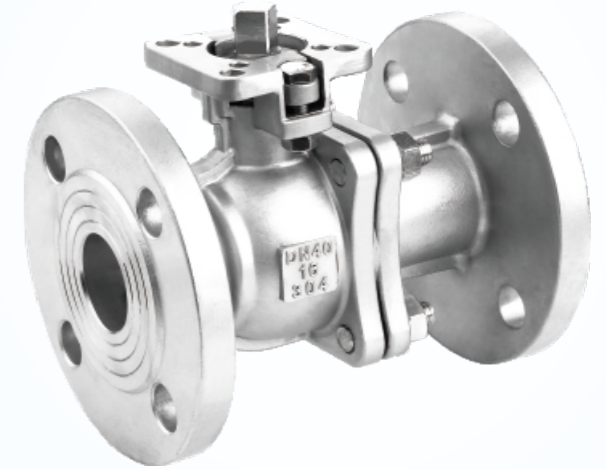


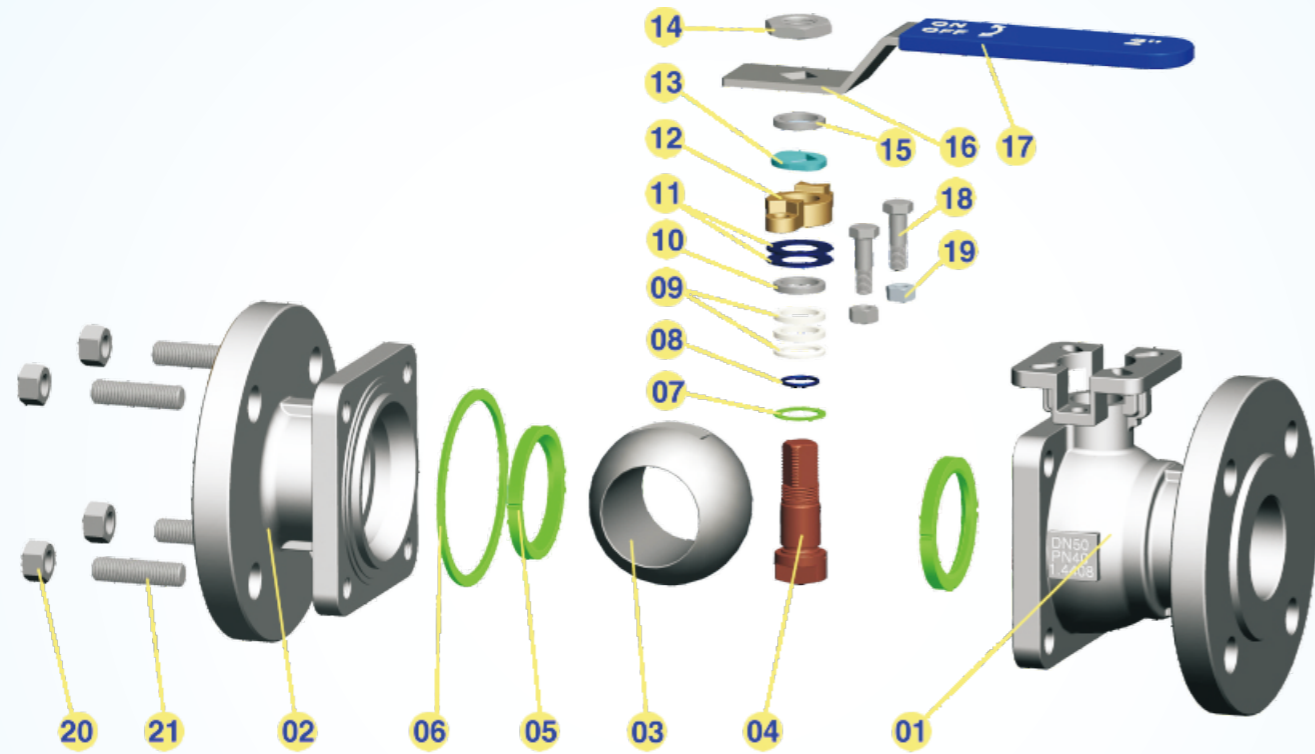
D-2FD GB-PN16/40(国标法兰)

- 防爆阀杆/全口径BLOW-OUT PROOF STEM/FULL PORT
- 适用温度范围TEMPERATURE RANGE:-20 to 180°C
- 设计制造DESIGN:GB/T-12237
- 法兰尺寸参照FLANGE DIMENSIONS:GB/ T-9113.1
- 法兰长度FACE TO FACE:GB/T-12221
- 检查与测试TEST:GB/T-13927

D-2FD CLASS 150#

- 防爆阀杆/全口径BLOW-OUT PROOF STEM/FULL PORT
- 适用温度范围TEMPERATURE RANGE:-20 to 180°C
- 设计制造DESIGN:ANSI B16.34
- 法兰尺寸参照FLANGE DIMENSIONS:ASME B16.5 CLASS150
- 法兰长度FACE TO FACE:ASME B16.1
- 检查与测试TEST:API-598
Pressure test:API598





材质清单 MATERIALS LIST

NO.	零件名称 PART NAME	PN16/40		CLASS150/300		JIS-10K		DIN PN40	
1	阀体 BODY	CF8M	CF8	CF8M	WCB	SCS13		1.4408	
2	阀盖 END CAP	CF8M	CF8	CF8M	WCB	SCS13		1.4408	
3	球 BALL	SS316	SS304	SS316	SS304	SS304		SS316	
4	阀杆 STEM	SS316	SS304	SS316	SS304	SS304		SS316	
5	阀座 SEAL	RTFE	RTFE	RTFE	RTFE	RTFE		RTFE	
6	线条 BODY SEAL	PTFE	PTFE	PTFE	PTFE	PTFE		PTFE	
7	杆密封 THRUST WASHER	PTFE	PTFE	PTFE	PTFE	PTFE		PTFE	
8	O型圈 STEM O-RING	VITON	VITON	VITON	VITON	VITON		VITON	
9	中头垫 STEM PACKING	PTFE	PTFE	PTFE	PTFE	PTFE		PTFE	
10	填料压套 GLAND	SS304	SS304	SS304	SS304	SS304		SS304	
11	碟簧 BELLEVILLE WASHER	SS304	SS304	SS304	SS304	SS304		SS304	
12	填料压盖 Packing gland	SS304	SS304	SS304	SS304	SS304		SS304	
13	定位片 STOP PLATE	SS304	SS304	SS304	SS304	SS304		SS304	
14	螺帽 HANDLE NUT	SS304	SS304	SS304	SS304	SS304		SS304	
15	金属垫 WASHER	SS304	SS304	SS304	SS304	SS304		SS304	
16	手柄 HANDLE	SS304	SS304	SS304	SS304	SS304		SS304	
17	胶套 LOCKING PAD	PLASTIC	PLASTIC	PLASTIC	PLASTIC	PLASTIC		PLASTIC	
18	螺栓 BOIT	SS304	SS304	SS304	SS304	SS304		SS304	
19	螺母 NUT	SS304	SS304	SS304	SS304	SS304		SS304	
20	定位螺帽 STOP NUT	A193.Gr.B8	A193.Gr.B8	A193.Gr.B8	A193.Gr.B8	A193.Gr.B8		A193.Gr.B8	
21	定位螺丝 STOP BOIT	A194.Gr.8	A194.Gr.8	A194.Gr.8	A194.Gr.8	A194.Gr.8		A194.Gr.8	

尺寸表 DIMENSIONS

GB(国标法兰) DN15-DN50 PN16/40, DN65-DN100 PN16

Unit:mm

SIZE	D	L	E	H	H1	C	D1	D2	D3	T	F	M-N	ISO5211
DN15 1/2"	15	130	112	48	9	9	46	65	95	14	2	4-14	F03/F04
DN20 3/4"	20	140	112	62	9	9	56	75	105	14	2	4-14	F03/F04
DN25 1"	25	150	136	64	11	11	65	85	115	14	2	4-14	F04/F05
DN32 1-1/4"	32	165	185	71	11	11	78	100	135	16	2	4-18	F04/F05
DN40 1-1/2"	38	180	198	76	14	14	84	110	145	16	2	4-18	F05/F07
DN50 2"	50	200	198	84.5	14	14	100	125	160	16	2	4-18	F05/F07
DN65 2-1/2"	64	220	265	106.8	17	17	120	145	185	18	2	4-18	F07/F10
DN80 3"	78	250	265	116.0	17	17	135	160	195	20	2	8-18	F07/F10
DN100 4"	100	280	325	154.5	17	17	156	180	215	20	2	8-18	F07/F10

1/2"~4" Class 150

SIZE	D	L	E	H	H1	C	D1	D2	D3	T	F	M-N	ISO5211
DN15 1/2"	15	108	112	48	9	9	35.0	60.5	89.0	10.5	1.6	4-16	F03/F04
DN20 3/4"	20	117	112	62	9	9	43.0	70.0	98.6	10.5	1.6	4-16	F03/F04
DN25 1"	25	127	136	64	11	11	51.0	79.2	108.0	10.5	1.6	4-16	F04/F05
DN32 1-1/4"	32	140	185	71	11	11	63.5	88.9	117.5	11.2	1.6	4-16	F04/F05
DN40 1-1/2"	38	165	198	76	14	14	73.2	98.6	127.0	12.7	1.6	4-16	F05/F07
DN50 2"	50	178	198	84.5	14	14	92.0	120.7	152.5	14.3	1.6	4-19	F05/F07
DN65 2-1/2"	64	190	265	106.8	17	17	104.7	139.7	177.8	15.9	1.6	4-19	F07/F10
DN80 3"	78	203	265	116.0	17	17	127.0	152.4	190.5	17.5	1.6	4-19	F07/F10
DN100 4"	100	229	325	154.5	17	17	157.2	190.5	228.6	22.3	1.6	8-19	F07/F10

1/2"~4" Class 300

SIZE	D	L	E	H	H1	C	D1	D2	D3	T	F	M-N	ISO5211
DN15 1/2"	15	140	112	48	9	9	35.0	66.5	95.0	14.3	1.6	4-16	F03/F04
DN20 3/4"	20	152	112	62	9	9	43.0	82.6	117.4	15.9	1.6	4-16	F03/F04
DN25 1"	25	165	136	64	11	9	51.0	88.9	124.0	17.5	1.6	4-16	F04/F05
DN32 1-1/4"	32	178	185	71	11	9	63.5	98.6	133.4	19.1	1.6	4-16	F04/F05
DN40 1-1/2"	38	190	198	76	14	14	73.2	114.3	155.5	20.6	1.6	4-16	F05/F07
DN50 2"	50	216	198	84.5	14	14	92.0	127.0	165.1	22.4	1.6	8-19	F05/F07
DN65 2-1/2"	64	241	265	106.8	17	17	104.7	149.4	190.5	25.4	1.6	8-19	F07/F10
DN80 3"	78	283	265	116.0	17	17	127.0	168.1	209.6	28.6	1.6	8-19	F07/F10
DN100 4"	100	305	325	154.5	17	17	157.2	200.2	254.0	31.8	1.6	8-19	F07/F10

10K 15A-100A

SIZE	D	L	E	H	H1	C	D1	D2	D3	T	F	M-N	ISO5211
DN15 1/2"	15	108.0	112	48	9	9	51	70	95	12	1	4-15	F03/F04
DN20 3/4"	20	117.0	112	62	9	9	56	75	100	14	1	4-15	F03/F04
DN25 1"	25	127.0	136	64	11	9	67	90	125	14	1	4-19	F04/F05
DN32 1-1/4"	32	140.0	185	71	11	9	76	100	135	16	2	4-19	F04/F05
DN40 1-1/2"	38	165.0	198	76	14	14	81	105	140	16	2	4-19	F05/F07
DN50 2"	50	178.0	198	84.5	14	14	96	120	155	16	2	4-19	F05/F07
DN65 2-1/2"	64	190.0	265	106.8	17	17	116	140	175	18	2	4-19	F07/F10
DN80 3"	78	203.0	265	116.0	17	17	126	150	185	18	2	8-19	F07/F10
DN100 4"	100	229.0	325	154.5	17	17	151	175	210	18	2	8-19	F07/F10

DN15-DN50 PN16/40, DN65-DN100 PN16

SIZE	D	L	E	H	H1	C	D1	D2	D3	T	F	M-N	ISO5211
DN15 1/2"	15	115	112	48	9	9	45	65	95	14	2	4-14	F03/F04
DN20 3/4"	20	120	112	62	9	9	58	75	105	16	2	4-14	F03/F04
DN25 1"	25	125	136	64	11	9	68	85	115	16	2	4-14	F04/F05
DN32 1-1/4"	32	130	185	71	11	9	78	100	140	16	2	4-18	F04/F05
DN40 1-1/2"	38	140	198	76	14	14	88	110	150	16	2	4-18	F05/F07
DN50 2"	50	150	198	84.5	14	14	102	125	165	16	2	4-18	F05/F07
DN65 2-1/2"	64	170	265	106.8	17	17	122	145	185	16	2	4-18	F07/F10
DN80 3"	78	180	265	116.0	17	17	138	160	200	18	2	8-18	F07/F10
DN100 4"	100	190	325	154.5	17	17	158	180	200	18	2	8-18	F07/F10

D-2FD GB-PN16/40(国标法兰)

- 防爆阀杆/全通径 BLOW-OUT PROOF STEM/FULL PORT
- ISO 5211平台直接安装ISO 5211 DIRECT MOUNTING PAD
- 适用温度范围 TEMPERATURE RANGE: -20 to 180°C
- 设计制造 DESIGN: GB/T-12237
- 法兰尺寸参照 FLANGE DIMENSIONS: GB/ T-9113.1
- 法兰长度 FACE TO FACE: GB/T-12221
- 检查与测试 TEST: GB/T-13927

D-2FD CLASS 150/300#

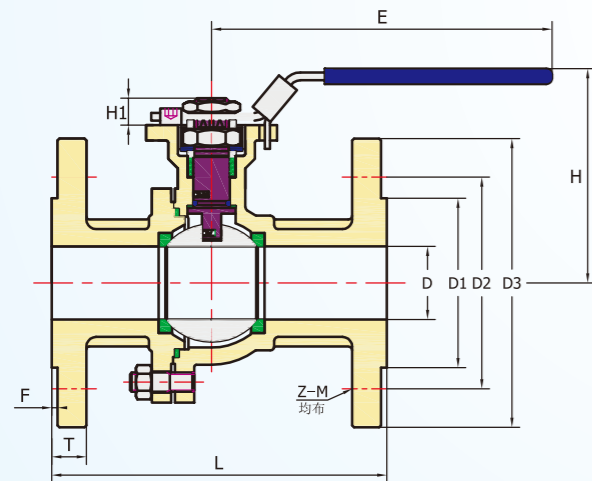
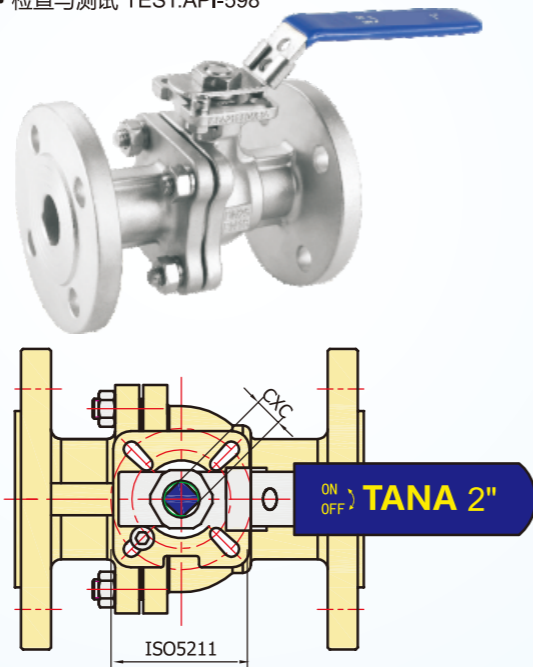
- 防爆阀杆/全通径BLOW-OUT PROOF STEM/FULL PORT
- ISO 5211平台直接安装ISO 5211 DIRECT MOUNTING PAD
- 适用温度范围 TEMPERATURE RANGE:-20 to 180°C
- 设计制造 DESIGN:ANSI B16.34
- 法兰尺寸参照 FLANGE DIMENSIONS:ASME B16.5 CLASS150
- 法兰长度 FACE TO FACE:ASME B16.1
- 检查与测试 TEST:API-598
Pressure test:API598

D-2FD DIN PN16/40

- 防爆阀杆/全通径 BLOW-OUT PROOF STEM/FULL PORT
- ISO 5211平台直接安装ISO 5211 DIRECT MOUNTING PAD
- 适用温度范围 TEMPERATURE RANGE: -20 to 180°C
- 设计制造 DESIGN: EN12516-1
- 法兰尺寸参照 FLANGE DIMENSIONS:
EN 1092-1 TYPE 21 PN16/40(RF SF)
- 法兰长度 FACE TO FACE: EN 558-1F4/F5(DIN 3202 F4/F5)
- 检查与测试 TEST: EN-12266-1

D-2FD JIS-10K

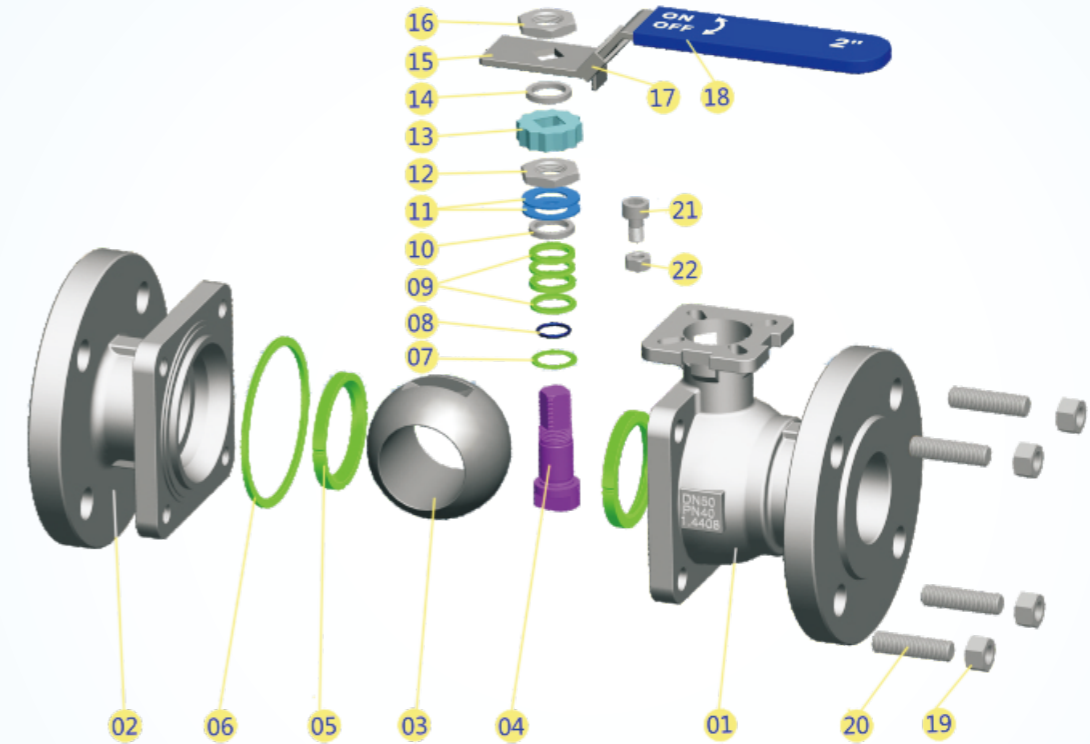
- 防爆阀杆/全通径BLOW-OUT PROOF STEM/FULL PORT
- ISO 5211平台直接安装ISO 5211 DIRECT MOUNTING PAD
- 适用温度范围 TEMPERATURE RANGE: -20 to 180°C
- 设计制造 DESIGN: ANSI B16.34
- 法兰尺寸参照 FLANGE DIMENSIONS:JIS B2238 10K
- 法兰长度 FACE TO FACE: JIS B2002(ASME B16.1)
- 检查与测试 TEST:API-598



外形尺寸 OUTER SIZE

SIZE	D	L-PN16	L-150LB	L-300LB	L-10K	L-PN40	E	H
DN15 1/2"	15	130	108	140	108	115	132	72
DN20 3/4"	20	140	117	152	117	120	132	72
DN25 1"	25	150	127	165	127	125	170	88
DN32 1-1/4"	32	165	140	178	140	130	170	92
DN40 1-1/2"	38	180	165	190	165	140	230	125
DN50 2"	50	200	178	216	178	150	230	136
DN65 2-1/2"	64	220	190	241	190	170	230	155
DN80 3"	78	250	203	283	203	180	300	163
DN100 4"	100	280	229	305	229	190	300	178

Unit:mm



材质清单 MATERIALS LIST

NO.	零件名称 PART NAME	PN16/40		CLASS150/300		JIS-10K	DIN PN40
1	阀体 BODY	CF8M	CF8	CF8M	WCB	SCS13	1.4408
2	阀盖 END CAP	CF8M	CF8	CF8M	WCB	SCS13	1.4408
3	球 BALL	SS316	SS304	SS316	SS304	SS304	SS316
4	阀杆 STEM	SS316	SS304	SS316	SS304	SS304	SS316
5	阀座 SEAL	RTFE	RTFE	RTFE	RTFE	RTFE	RTFE
6	线条 BODY SEAL	PTFE	PTFE	PTFE	PTFE	PTFE	PTFE
7	杆密封 THRUST WASHER	PTFE	PTFE	PTFE	PTFE	PTFE	PTFE
8	O型圈 STEM O-RING	VITON	VITON	VITON	VITON	VITON	VITON
9	中头垫 STEM PACKING	PTFE	PTFE	PTFE	PTFE	PTFE	PTFE
10	填料压套 GLAND	SS304	SS304	SS304	SS304	SS304	SS304
11	碟簧 BELLEVILLE WASHER	SS304	SS304	SS304	SS304	SS304	SS304
12	下螺帽 STEM NUT	SS304	SS304	SS304	SS304	SS304	SS304
13	防松盖 STOP WASHER	SS304	SS304	SS304	SS304	SS304	SS304
14	垫片压簧 FILLING DAMPING RING	SS304	SS304	SS304	SS304	SS304	SS304
15	手柄 HANDLE	SS304	SS304	SS304	SS304	SS304	SS304
16	螺帽 HANDLE NUT	SS304	SS304	SS304	SS304	SS304	SS304
17	锁片 LOCKING PAD	SS304	SS304	SS304	SS304	SS304	SS304
18	胶套 HANDLE COVER	PLASTIC	PLASTIC	PLASTIC	PLASTIC	PLASTIC	PLASTIC
19	定位螺帽 STOP NUT	SS304	SS304	SS304	SS304	SS304	SS304
20	定位螺丝 STOP BOIT	SS304	SS304	SS304	SS304	SS304	SS304
21	螺栓 BOIT	A193 Gr.B8	A193 Gr.B8	A193 Gr.B8	A193 Gr.B8	A193 Gr.B8	A193 Gr.B8
22	螺帽 NUT	A194.Gr.8	A194.Gr.8	A194.Gr.8	A194.Gr.8	A194 Gr.8	A194.Gr.8

D-2FD GB-PN16/40(国标法兰)

- 防爆阀杆/全口径BLOW-OUT PROOF STEM/FULL PORT
- 适用温度范围TEMPERATURE RANGE:-20 to 180°C
- 设计制造DESIGN:GB/T-12237
- 法兰尺寸参照FLANGE DIMENSIONS:GB/ T-9113.1
- 法兰长度FACE TO FACE:GB/T-12221
- 检查与测试TEST:GB/T-13927

D-2FD CLASS 150/300#

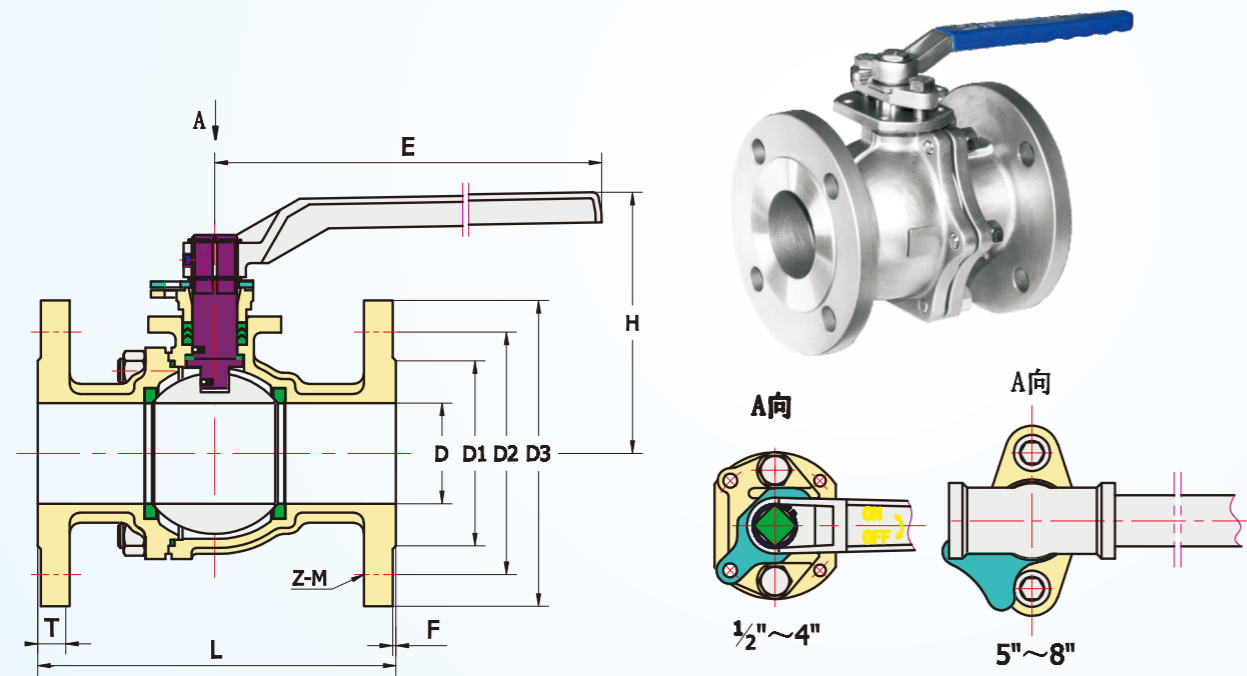
- 防爆阀杆/全口径BLOW-OUT PROOF STEM/FULL PORT
- 适用温度范围TEMPERATURE RANGE:-20 to 180°C
- 设计制造DESIGN:ANSI B16.34
- 法兰尺寸参照FLANGE DIMENSIONS:ASME B16.5 CLASS150
- 法兰长度FACE TO FACE:ASME B16.1
- 检查与测试TEST:API-598
Pressure test:API598

D-2FD JIS-10K

- 防爆阀杆/全口径BLOW-OUT PROOF STEM/FULL PORT
- 适用温度范围TEMPERATURE RANGE:-20 to 180°C
- 设计制造DESIGN:ANSI B16.34
- 法兰尺寸参照FLANGE DIMENSIONS:JIS B2238 10K
- 法兰长度FACE TO FACE:JIS B2002(ASME B16.1)
- 检查与测试TEST:API-598

D-2FD DIN PN16/40

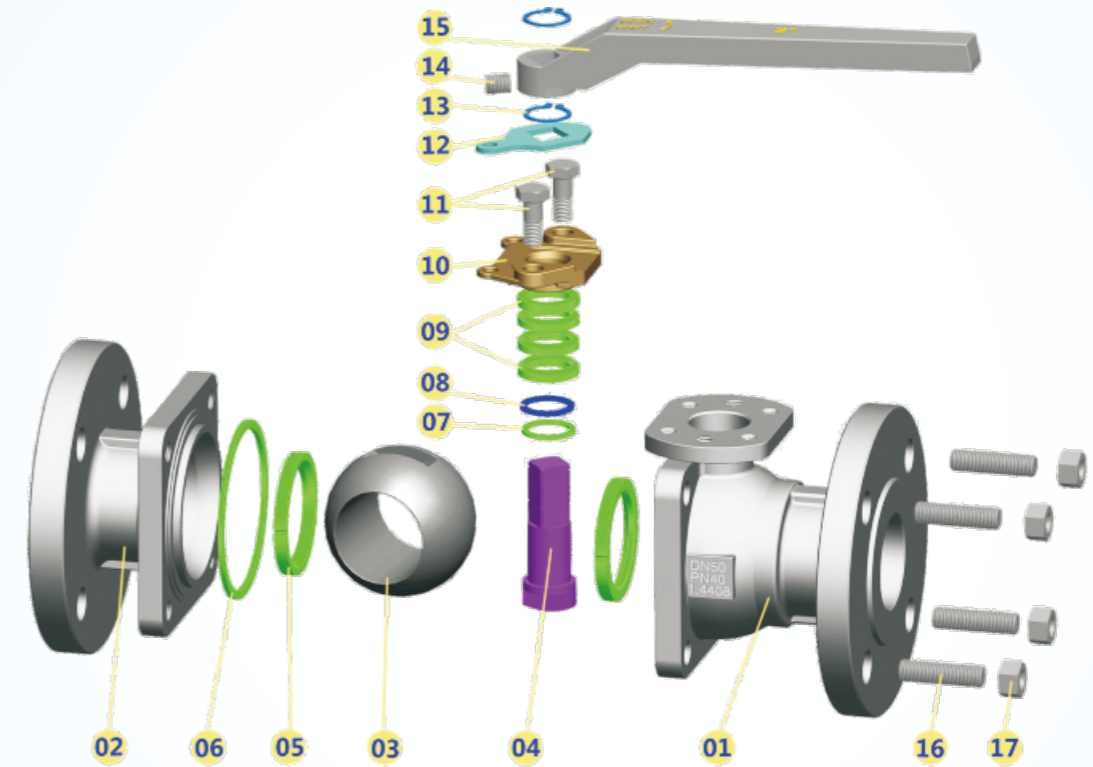
- 防爆阀杆/全口径BLOW-OUT PROOF STEM/FULL PORT
- 适用温度范围TEMPERATURE RANGE:-20 to 180°C
- 设计制造DESIGN:EN12516-1
- 法兰尺寸参照FLANGE DIMENSIONS:
EN 1092-1 TYPE 21 PN16/40(RF SF)
- 法兰长度FACE TO FACE:EN 558-1F4/F5(DIN 3202 F4/F5)
- 检查与测试TEST:EN-12266-1



外形尺寸 OUTER SIZE

SIZE	D	L-PN16	L-150LB	L-300LB	L-10K	L-PN40	E	H
DN15 1/2"	15	130	108	140	108	115	132	72
DN20 3/4"	20	140	117	152	117	120	132	72
DN25 1"	25	150	127	165	127	125	170	88
DN32 1-1/4"	32	165	140	178	140	130	170	92
DN40 1-1/2"	38	180	165	190	165	140	230	125
DN50 2"	50	200	178	216	178	150	230	136
DN65 2-1/2"	64	220	190	241	190	170	230	155
DN80 3"	78	250	203	283	203	180	300	163
DN100 4"	100	280	229	305	229	190	300	178

Unit:mm



材质清单 MATERIALS LIST

NO.	零件名称 PART NAME	PN16/40	CLASS150/300	JIS-10K	DIN PN40
1	阀体 BODY	CF8M	WCB	SCS13	1.4408
2	阀盖 END CAP	CF8M	WCB	SCS13	1.4408
3	球 BALL	SS316	SS304	SS304	SS316
4	阀杆 STEM	SS316	SS304	SS304	SS316
5	阀座 SEAL	RTFE	RTFE	RTFE	RTFE
6	线条 BODY SEAL	PTFE	PTFE	PTFE	PTFE
7	杆密封 THRUST WASHER	PTFE	PTFE	PTFE	PTFE
8	O型圈 STEM O-RING	VITON	VITON	VITON	VITON
9	中头垫 STEM PACKING	PTFE	PTFE	PTFE	PTFE
10	填料压套 GLAND	SS304	SS304	SS304	SS304
11	六角螺栓 GLAND BOIT	SS304	SS304	SS304	SS304
12	定位片 STOP PLATE	SS304	SS304	SS304	SS304
13	卡簧 SNAP RING	SS304	SS304	SS304	SS304
14	紧定螺丝 SET BOLT	SS304	SS304	SS304	SS304
15	手柄 HANDLE	SS304	SS304	SS304	SS304
16	螺栓 BOIT	A193 GR.B8	A193 GR.B8	A193 GR.B8	A193 GR.B8
17	螺帽 NUT	A194.GR.8	A194.GR.8	A194.GR.8	A194.GR.8

DN15~DN100(1/2"~4")

一片式全通径高平台法兰球阀

FULL PORT ONE-PIECE DIRECT MOUNTING PAD
BALL VALVE FLANGE END

防爆阀杆/全通径BLOW-OUT PROOF STEM/FULL PORT

带ISO5211平台 ISO 5211 MOUNTING DEVICE

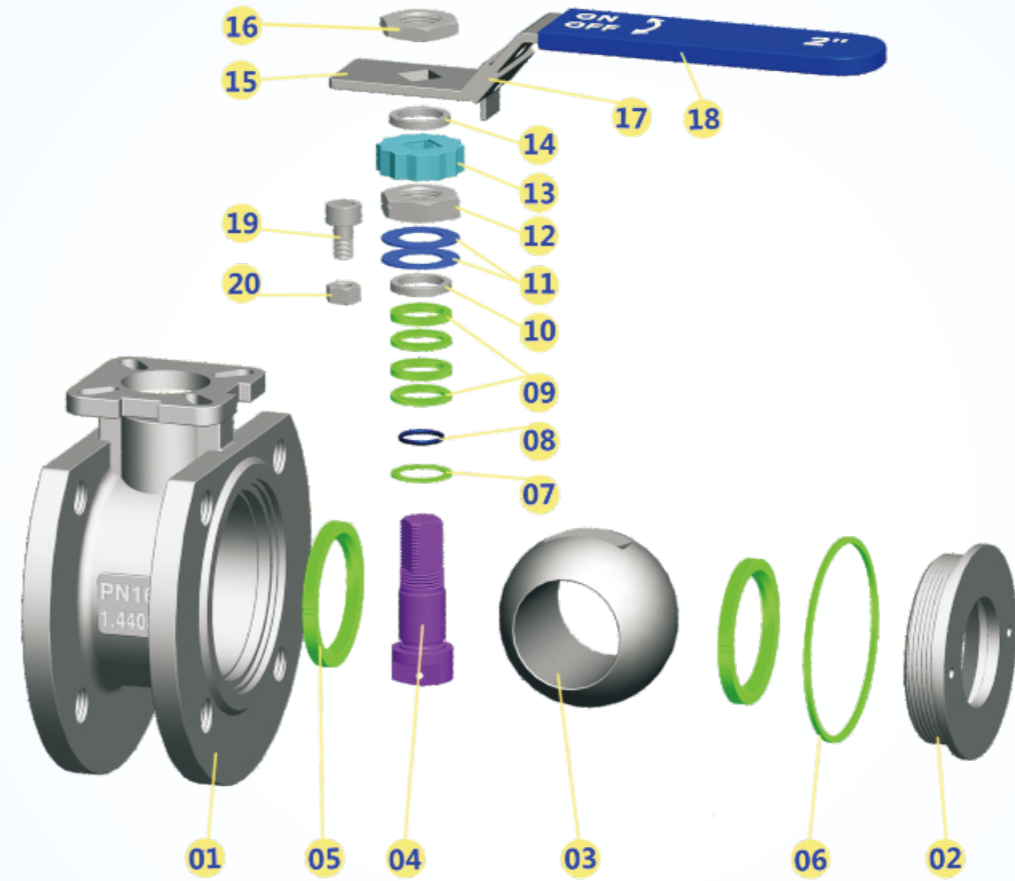
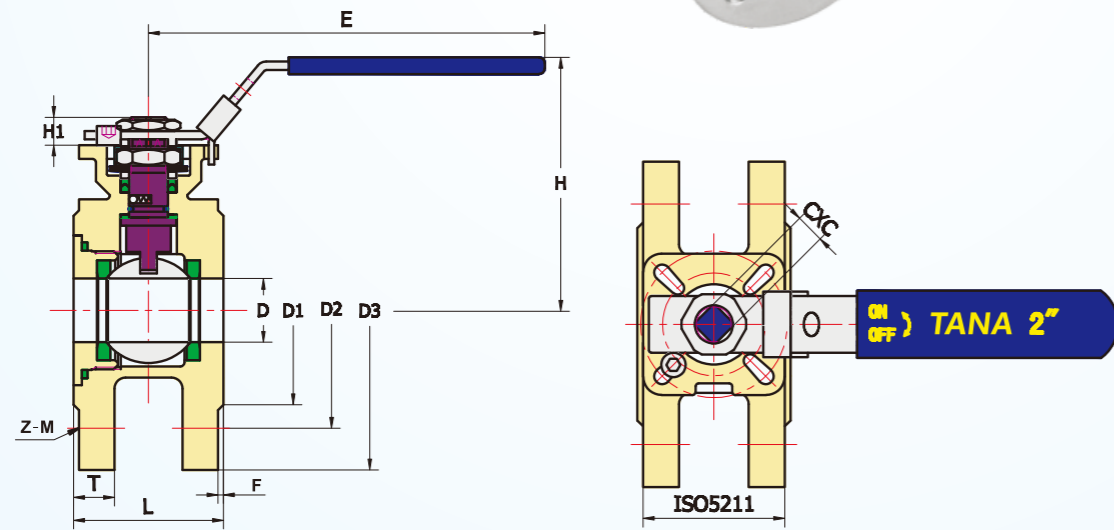
适用温度范围 TEMPERATURE RANGE: -20 to 180°C

法兰尺寸参照 FLANGE DIMENSIONS:

EN 1092-1 Pn16

ANSI B16.5 CLASS 150

检查测试 TEST: EN-12266-1 API-598



D-1FD GB(国标法兰) DN15-DN50 PN16/40, DN65-DN100 PN16

Unit:mm

SIZE	D	L	E	H	H1	C	D1	D2	D3	T	F	M-N	ISO5211
DN15 1/2"	15	35	116	75	9	9	46	65	95	14	2	4-14	F03/F04
DN20 3/4"	20	38	116	80	9	9	56	75	105	14	2	4-14	F03/F04
DN25 1"	25	44	165	80	11	11	65	85	115	14	2	4-14	F04/F05
DN32 1-1/4"	32	54	165	90	11	11	78	100	135	16	2	4-18	F04/F05
DN40 1-1/2"	38	62	193	95	14	14	84	110	145	16	2	4-18	F05/F07
DN50 2"	50	80	193	110	14	14	100	125	160	16	2	4-18	F05/F07
DN65 2-1/2"	64	101	235	150	17	17	120	145	185	18	2	4-18	F07/F10
DN80 3"	78	118	235	165	17	17	135	160	195	20	2	8-18	F07/F10
DN100 4"	100	150	266	185	17	17	156	180	215	20	2	8-18	F07/F10

D-1FD 1/2"~4" Class150

Unit:mm

SIZE	D	L	E	H	H1	C	D1	D2	D3	T	F	M-N	ISO5211
DN15 1/2"	15	35	116	70	9	9	35	60.5	89.0	10.5	1.6	4-16	F03/F04
DN20 3/4"	20	38	116	74	9	9	43	70.0	98.6	10.5	1.6	4-16	F03/F04
DN25 1"	25	42	165	75	11	11	51	79.2	108.0	10.5	1.6	4-16	F04/F05
DN32 1-1/4"	32	54	165	87	11	11	63	88.9	117.5	11.2	1.6	4-16	F04/F05
DN40 1-1/2"	38	62	193	90	14	14	73	98.6	127.0	12.7	1.6	4-16	F05/F07
DN50 2"	50	80	193	99	14	14	92	120.7	152.5	14.3	1.6	4-19	F05/F07
DN65 2-1/2"	64	101	235	141	17	17	104.7	139.7	177.8	15.9	1.6	4-19	F07/F10
DN80 3"	78	118	235	150	17	17	127	152.4	190.5	17.5	1.6	4-19	F07/F10
DN100 4"	100	153	266	172	17	17	157.2	190.5	228.6	22.3	1.6	8-19	F07/F10

材质清单 MATERIALS LIST

NO.	零件名称 PART NAME	PN16/40		CLASS150	
1	阀体 BODY	CF8M	CF8	CF8M	WCB
2	阀盖 END CAP	CF8M	CF8	CF8M	WCB
3	球 BALL	SS316	SS304	SS316	SS304
4	阀杆 STEM	SS316	SS304	SS316	SS304
5	阀座 SEAL	RTFE	RTFE	RTFE	RTFE
6	线条 BODY SEAL	PTFE	PTFE	PTFE	PTFE
7	杆密封 THRUST WASHER	PTFE	PTFE	PTFE	PTFE
8	O型圈 STEM O-RING	VITON	VITON	VITON	VITON
9	中头垫 STEM PACKING	PTFE	PTFE	PTFE	PTFE
10	填料压套 GLAND	SS304	SS304	SS304	SS304
11	碟簧 BELLEVILLE WASHER	SS304	SS304	SS304	SS304
12	下螺帽 STEM NUT	SS304	SS304	SS304	SS304
13	防松盖 STOP WASHER	SS304	SS304	SS304	SS304
14	垫片压簧 FILLING DAMPING RING	SS304	SS304	SS304	SS304
15	手柄 HANDLE	SS304	SS304	SS304	SS304
16	螺帽 HANDLE NUT	SS304	SS304	SS304	SS304
17	锁片 LOCKING PAD	SS304	SS304	SS304	SS304
18	胶套 HANDLE COVER	PLASTIC	PLASTIC	PLASTIC	PLASTIC
19	定位螺丝 STOP BOIT	SS304	SS304	SS304	SS304
20	定位螺帽 STOP NUT	SS304	SS304	SS304	SS304

D-3FD GB-PN16/40(国标法兰)

- 防爆阀杆/全通径 BLOW-OUT PROOF STEM/FULL PORT
- ISO 5211平台直接安装ISO 5211 DIRECT MOUNTING PAD
- 适用温度范围 TEMPERATURE RANGE:-20 to 180°C
- 设计制造DESIGN: GB/T-12237
- 法兰尺寸参照 FLANGE DIMENSIONS: GB/ T-9113.1
- 法兰长度 FACE TO FACE: GB/T-12221
- 检查与测试 TEST: GB/T-13927

D-3FD CLASS 150/300#

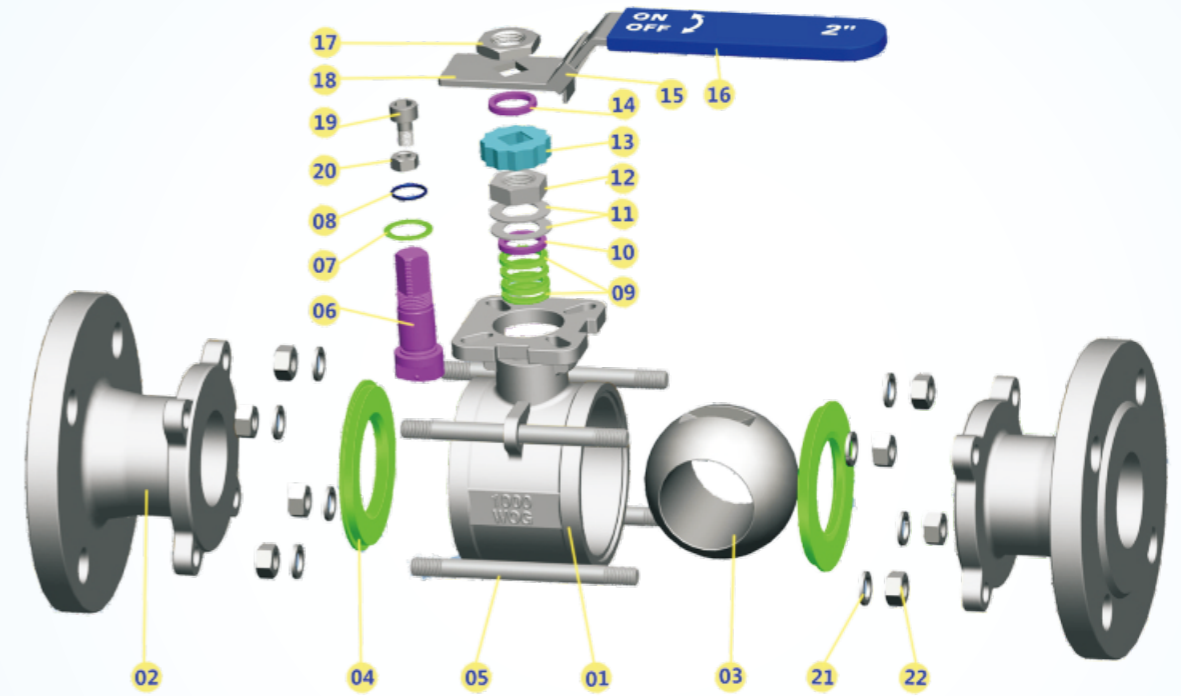
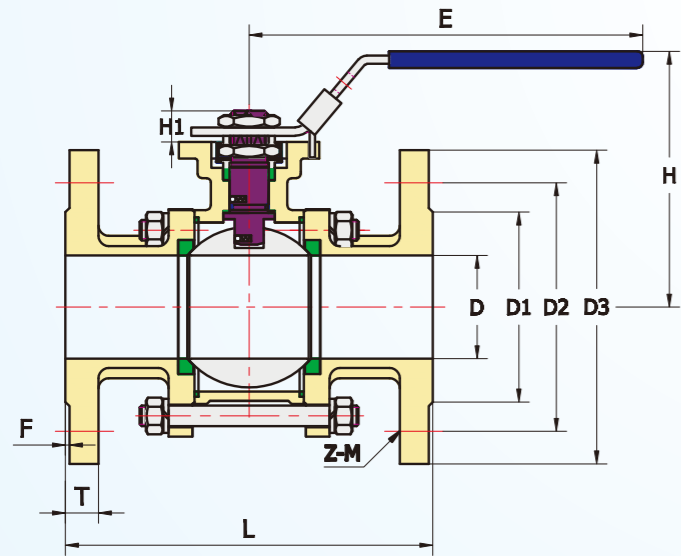
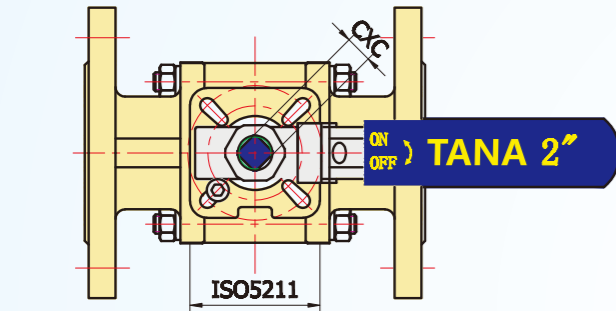
- 防爆中轴/全流BLOW-OUT PROOF STEM/FULL PORT
- ISO 5211平台直接安装ISO 5211 DIRECT MOUNTING PAD
- 适用温度范围TEMPERATURE RANGE: -20 to 180°C
- 设计制造DESIGN:ANSI B16.34
- 法兰尺寸参照FLANGE DIMENSIONS: ASME B16.5 CLASS150
- 法兰长度FACE TO FACE: ASME B16.1
- 检查与测试TEST:API-598
Pressure test:API598

D-2FD JIS-10K

- 防爆阀杆/全通径BLOW-OUT PROOF STEM/FULL PORT
- ISO 5211平台直接安装ISO 5211 DIRECT MOUNTING PAD
- 适用温度范围TEMPERATURE RANGE: -20 to 180°C
- 设计制造DESIGN: ANSI B16.34
- 法兰尺寸参照FLANGE DIMENSIONS: JIS B2238 10K
- 法兰长度FACE TO FACE: JIS B2002(ASME B16.1)
- 检查与测试TEST: API-598

D-3FD DIN PN16/40

- 防爆中轴/全流 BLOW-OUT PROOF STEM/FULL PORT
- ISO 5211平台直接安装 ISO 5211 DIRECT MOUNTING PAD
- 适用温度范围 TEMPERATURE RANGE:-20 to 180°C
- 设计制造DESIGN:EN12516-1
- 法兰尺寸参照 FLANGE DIMENSIONS:
EN 1092-1 TYPE 21 PN16/40(RF SF)
- 法兰长度 FACE TO FACE: EN 558-1F4/F5(DIN 3202 F4/F5)
- 检查与测试 TEST: EN-12266-1



材质清单 MATERIALS LIST

NO.	零件名称 PART NAME	PN16/40		CLASS150/300		JIS-10K	DIN PN40
1	阀体 BODY	CF8M	CF8	CF8M	WCB	SCS13	1.4408
2	阀盖 END CAP	CF8M	CF8	CF8M	WCB	SCS13	1.4408
3	球 BALL	SS316	SS304	SS316	SS304	SS304	SS316
4	阀座 SEAL	RTFE	RTFE	RTFE	RTFE	RTFE	RTFE
5	螺栓 STUD	PTFE	PTFE	PTFE	PTFE	PTFE	PTFE
6	阀杆 STEM	SS316	SS304	SS316	SS304	SS304	SS316
7	杆密封 THRUST WASHER	PTFE	PTFE	PTFE	PTFE	PTFE	PTFE
8	O型圈 STEM O-RING	VITON	VITON	VITON	VITON	VITON	VITON
9	中头垫 STEM PACKING	PTFE	PTFE	PTFE	PTFE	PTFE	PTFE
10	填料压套 GLAND	SS304	SS304	SS304	SS304	SS304	SS304
11	碟簧 BELLEVILLE WASHER	SS304	SS304	SS304	SS304	SS304	SS304
12	下螺帽 STEM NUT	SS304	SS304	SS304	SS304	SS304	SS304
13	防松盖 STOP WASHER	SS304	SS304	SS304	SS304	SS304	SS304
14	垫片压簧 FILLING DAMPING RING	SS304	SS304	SS304	SS304	SS304	SS304
15	锁片 LOCKING PAD	SS304	SS304	SS304	SS304	SS304	SS304
16	胶套 HANDLE COVER	PLASTIC	PLASTIC	PLASTIC	PLASTIC	PLASTIC	PLASTIC
17	螺帽 HANDLE NUT	SS304	SS304	SS304	SS304	SS304	SS304
18	手柄 HANDLE	SS304	SS304	SS304	SS304	SS304	SS304
19	定位螺丝 STOP BOIT	SS304	SS304	SS304	SS304	SS304	SS304
20	定位螺帽 STOP NUT	SS304	SS304	SS304	SS304	SS304	SS304
21	弹垫 STUD	A193 Gr.B8	A193 Gr.B8	A193 Gr.B8	A193 Gr.B8	A193 Gr.B8	A193 Gr.B8
22	螺帽 NUT	A194.Gr.8	A194.Gr.8	A194.Gr.8	A194.Gr.8	A194.Gr.8	A194.Gr.8

尺寸表 DIMENSIONS

GB(国标法兰) DN15-DN50 PN16/40, DN65-DN100 PN16 Unit:mm

SIZE	D	L	E	H	H1	C	D1	D2	D3	T	F	M-N	ISO5211
DN15	1/2"	15	130	112	48	9	9	46	65	95	14	2	4-14 F03/F04
DN20	3/4"	20	140	112	62	9	9	56	75	105	14	2	4-14 F03/F04
DN25	1"	25	150	136	64	11	11	65	85	115	14	2	4-14 F04/F05
DN32	1-1/4"	32	165	185	71	11	11	78	100	135	16	2	4-18 F04/F05
DN40	1-1/2"	38	180	198	76	14	14	84	110	145	16	2	4-18 F05/F07
DN50	2"	50	200	198	84.5	14	14	100	125	160	16	2	4-18 F05/F07
DN65	2-1/2"	64	220	265	106.8	17	17	120	145	185	18	2	4-18 F07/F10
DN80	3"	78	250	265	116.0	17	17	135	160	195	20	2	8-18 F07/F10
DN100	4"	100	280	325	154.5	17	17	156	180	215	20	2	8-18 F07/F10

1/2"~4" Class150

SIZE	D	L	E	H	H1	C	D1	D2	D3	T	F	M-N	ISO5211
DN15	1/2"	15	108	112	48	9	9	35.0	60.5	89.0	10.5	1.6	4-16 F03/F04
DN20	3/4"	20	117	112	62	9	9	43.0	70.0	98.6	10.5	1.6	4-16 F03/F04
DN25	1"	25	127	136	64	11	11	51.0	79.2	108.0	10.5	1.6	4-16 F04/F05
DN32	1-1/4"	32	140	185	71	11	11	63.5	88.9	117.5	11.2	1.6	4-16 F04/F05
DN40	1-1/2"	38	165	198	76	14	14	73.2	98.6	127.0	12.7	1.6	4-16 F05/F07
DN50	2"	50	178	198	84.5	14	14	92.0	120.7	152.5	14.3	1.6	4-19 F05/F07
DN65	2-1/2"	64	190	265	106.8	17	17	104.7	139.7	177.8	15.9	1.6	4-19 F07/F10
DN80	3"	78	203	265	116.0	17	17	127.0	152.4	190.5	17.5	1.6	4-19 F07/F10
DN100	4"	100	229	325	154.5	17	17	157.2	190.5	228.6	22.3	1.6	8-19 F07/F10

10K 15A-100A

SIZE	D	L	E	H	H1	C	D1	D2	D3	T	F	M-N	ISO5211
DN15	1/2"	15	108.0	112	48	9	9	51	70	95	12	1	4-15 F03/F04
DN20	3/4"	20	117.0	112	62	9	9	56	75	100	14	1	4-15 F03/F04
DN25	1"	25	127.0	136	64	11	9	67	90	125	14	1	4-19 F04/F05
DN32	1-1/4"	32	140.0	185	71	11	9	76	100	135	16	2	4-19 F04/F05
DN40	1-1/2"	38	165.0	198	76	14	14	81	105	140	16	2	4-19 F05/F07
DN50	2"	50	178.0	198	84.5	14	14	96	120	155	16	2	4-19 F05/F07
DN65	2-1/2"	64	190.0	265	106.8	17	17	116	140	175	18	2	4-19 F07/F10
DN80	3"	78	203.0	265	116.0	17	17	126	150	185	18	2	8-19 F07/F10
DN100	4"	100	229.0	325	154.5	17	17	151	175	210	18	2	8-19 F07/F10

DN15-DN50 PN16/40, DN65-DN100 PN16

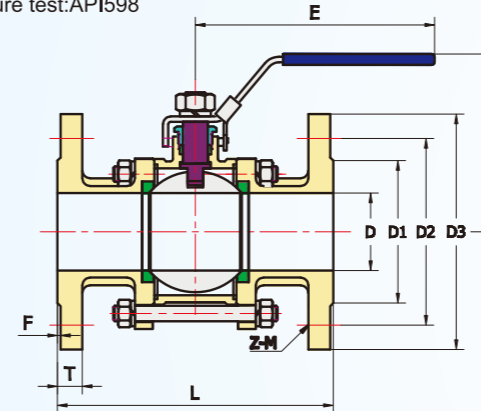
SIZE	D	L	E	H	H1	C	D1	D2	D3	T	F	M-N	ISO5211
DN15	1/2"	15	115	112	48	9	9	45	65	95	14	2	4-14 F03/F04
DN20	3/4"	20	120	112	62	9	9	58	75	105	16	2	4-14 F03/F04
DN25	1"	25	125	136	64	11	9	68	85	115	16	2	4-14 F04/F05
DN32	1-1/4"	32	130	185	71	11	9	78	100	140	16	2	4-18 F04/F05
DN40	1-1/2"	38	140	198	76	14	14	88	110	150	16	2	4-18 F05/F07
DN50	2"	50	150	198	84.5	14	14	102	125	165	16	2	4-18 F05/F07
DN65	2-1/2"	64	170	265	106.8	17	17	122	145	185	16	2	4-18 F07/F10
DN80	3"	78	180	265	116.0	17	17	138	160	200	18	2	8-18 F07/F10
DN100	4"	100	190	325	154.5	17	17	158	180	200	18	2	8-18 F07/F10

D-3FD GB-PN16/40(国标法兰)

- 防爆阀杆/全通径BLOW-OUT PROOF STEM/FULL PORT
- 适用温度范围TEMPERATURE RANGE: -20 to 180°C
- 设计制造DESIGN: GB/T-12237
- 法兰尺寸参照FLANGE DIMENSIONS: GB/ T-9113.1
- 法兰长度FACE TO FACE: GB/T-12221
- 检查与测试TEST: GB/T-13927

D-3FD CLASS 150#

- 防爆阀杆/全通径 BLOW-OUT PROOF STEM/FULL PORT
- 适用温度范围 TEMPERATURE RANGE: -20 to 180°C
- 设计制造 DESIGN: ANSI B16.34
- 法兰尺寸参照 FLANGE DIMENSIONS: ASME B16.5 CLASS150
- 法兰长度 FACE TO FACE: ASME B16.1
- 检查与测试 TEST:API-598
Pressure test:API598



D-3FD JIS-10K

- 防爆阀杆/全通径BLOW-OUT PROOF STEM/FULL PORT
- 适用温度范围TEMPERATURE RANGE: -20 to 180°C
- 设计制造DESIGN: ANSI B16.34
- 法兰尺寸参照FLANGE DIMENSIONS: JIS B2238 10K
- 法兰长度FACE TO FACE: JIS B2002(ASME B16.1)
- 检查与测试TEST: API-598

D-3FD DIN PN16/40

- 防爆阀杆/全通径 BLOW-OUT PROOF STEM/FULL PORT
- 适用温度范围 TEMPERATURE RANGE: -20 to 180°C
- 设计制造 DESIGN: EN12516-1
- 法兰尺寸参照 FLANGE DIMENSIONS: EN 1092-1 TYPE 21 PN16/40(RF SF)
- 法兰长度 FACE TO FACE: EN 558-1F4/F5(DIN 3202 F4/F5)
- 检查与测试 TEST: EN-12266-1

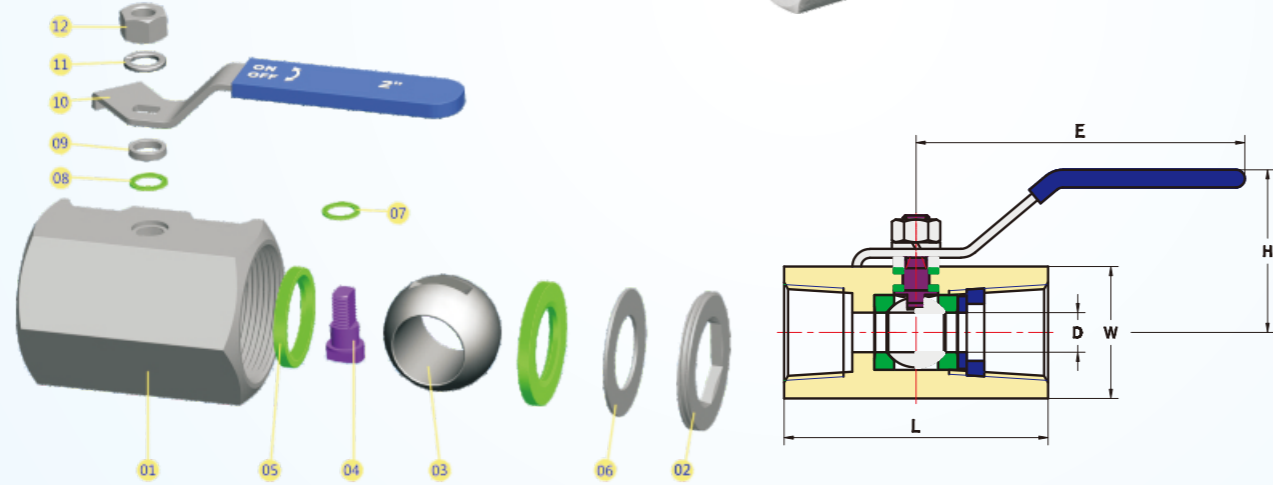


外形尺寸 OUTER SIZE

SIZE	D	L-PN16	L-150LB	L-10K	L-PN40	E	H
DN15	1/2"	15	130	108	108	115	72
DN20	3/4"	20	140	117	117	120	72
DN25	1"	25	150	127	127	125	88
DN32	1-1/4"	32	165	140	140	130	92
DN40	1-1/2"	38	180	165	165	140	125
DN50	2"	50	200	178	178	150	136
DN65	2-1/2"	64	220	190	190	170	155
DN80	3"	78	250	203	203	180	163
DN100	4"	100	280	229	229	190	178



- 防爆阀杆/缩径BLOW-OUT PROOF STEM/REDUCE PORT
- 适用温度范围TEMPERATURE RANGE:-20 to 280°C
- 使用压力PRESSURE: PN63/1000WOG
- 适用介质APPLICABLE MEDIA: 水 WATER、气GAS、油OIL
- 设计制造DESIGN: GB/T-12224/ANSI B16.34
- 螺纹标准THREAD: BSPT/BSP/NPT/DIN/JIS/RC/G
- 检查与测试TEST: GB/T-13927/API598
- 气压测试AIR TEST: 0.8MPA



材质清单 MATERIALS LIST

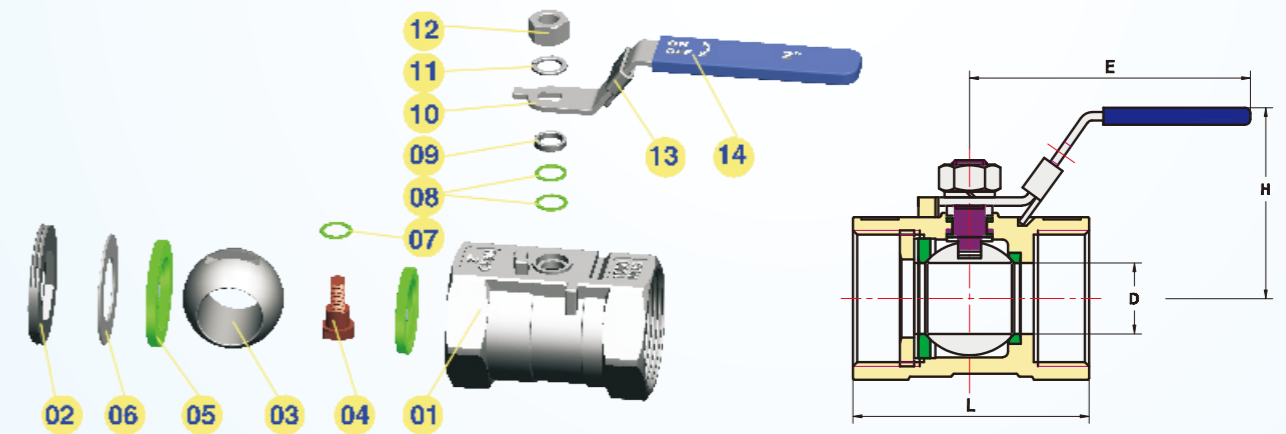
NO.	零件名称 PART NAME	材质 MATERIALS LIST
1	阀体 BODY	SS316 A105
2	阀盖 END CAP	SS316 A105
3	球 BALL	SS316 SS304
4	阀杆 STEM	SS316 SS304
5	阀座 SEAL	RTFE RTFE
6	阀座护垫 GLAND	PTFE PTFE
7	杆密封 THRUST WASHER	PTFE PTFE
8	中头垫 STEM PACKING	PTFE PTFE
9	填料压套 GLAND	SS304 SS304
10	手柄 HANDLE	SS304 SS304
11	弹垫 STUD	A193 Gr.B8 A193 Gr.B8
12	螺帽 NUT	A194.Gr.8 A194.Gr.8

外形尺寸 OUTER SIZE

SIZE	D	L	E	H	W
1/4"	5	46	75	28	17.5
3/8"	7	51	75	31	21
1/2"	9	57	95	34	28.5
3/4"	12.5	65	95	43	34.5
1"	15	76	110	52	40.5
1-1/4"	20	92	110	52	53.5
1-1/2"	25	98	140	65	57.5
2"	32	114	140	70	73

Unit:mm

- 防爆阀杆/缩径BLOW-OUT PROOF STEM/REDUCE PORT
- 适用温度范围TEMPERATURE RANGE:-20 to 280°C
- 使用压力PRESSURE:PN63/1000WOG
- 适用介质APPLICABLE MEDIA:水WATER、气GAS、油OIL
- 设计制造DESIGN:GB/T-12224/ANSI B16.34
- 螺纹标准THREAD:BSPT/BSP/NPT/DIN/JIS/RC/G
- 检查与测试TEST:GB/T-13927/API598
- 气压测试AIR TEST:0.8MPA



材质清单 MATERIALS LIST

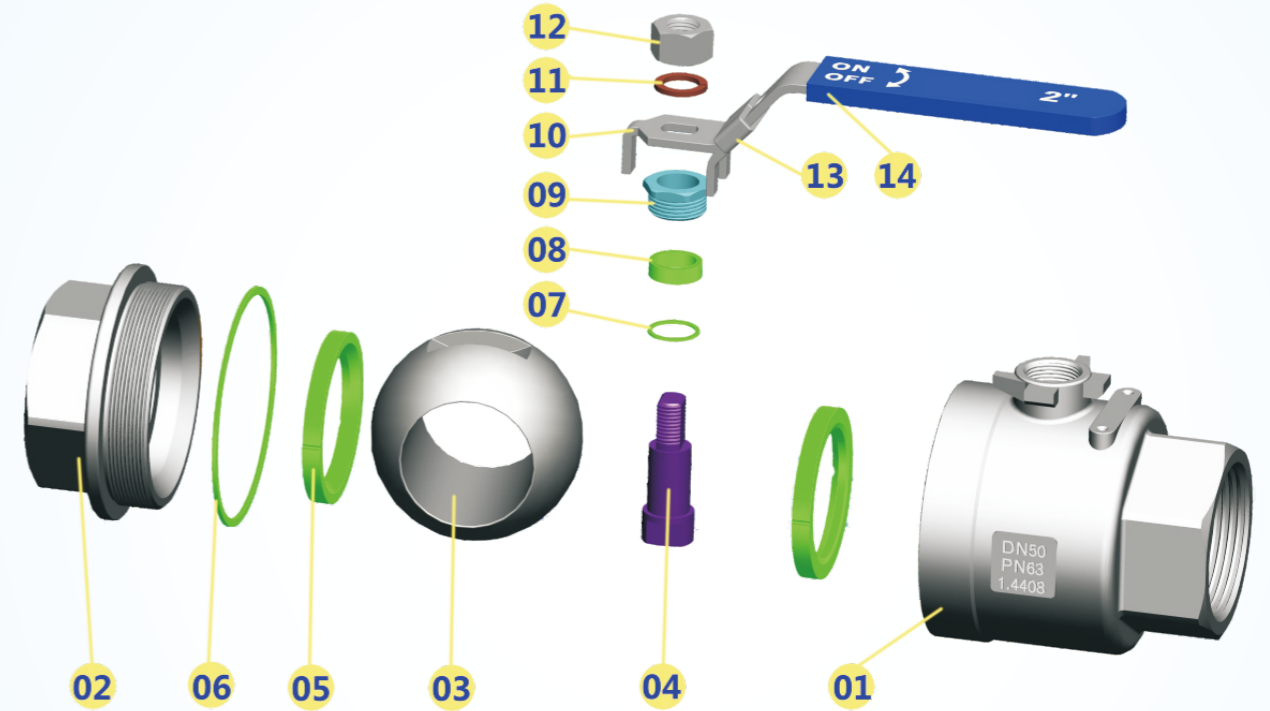
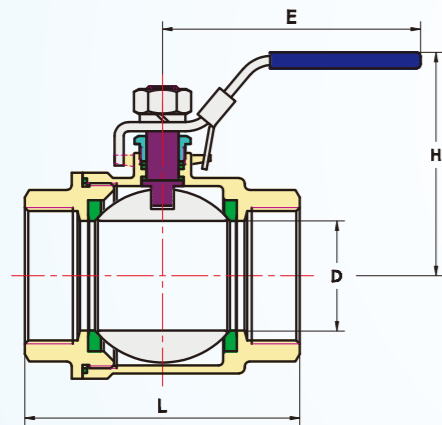
NO.	零件名称 PART NAME	材质 MATERIALS LIST
1	阀体 BODY	CF8M Cf8
2	阀盖 END CAP	CF8M CF8
3	球 BALL	SS316 SS304
4	阀杆 STEM	SS316 SS304
5	阀座 SEAL	RTFE RTFE
6	阀座护垫 GLAND	PTFE PTFE
7	杆密封 THRUST WASHER	PTFE PTFE
8	中头垫 STEM PACKING	PTFE PTFE
9	填料压套 GLAND	SS304 SS304
10	手柄 HANDLE	SS304 SS304
11	弹垫 STUD	A193 Gr.B8 A193 Gr.B8
12	螺帽 NUT	A194.Gr.8 A194.Gr.8
13	锁片 LOCKING PAD	SS304 SS304
14	胶套 HANDLE COVER	PLASTIC PLASTIC

外形尺寸 OUTER SIZE

SIZE	D	L	E	H	W
1/4"	5	46	75	28	17.5
3/8"	7	51	75	31	21
1/2"	9	57	95	34	28.5
3/4"	12.5	65	95	43	34.5
1"	15	76	110	52	40.5
1-1/4"	20	92	110	52	53.5
1-1/2"	25	98	140	65	57.5
2"	32	114	140	70	73

Unit:mm

- 防爆阀杆/全通径BLOW-OUT PROOF STEM/FULL PORT
- 适用温度范围TEMPERATURE RANGE:-20 to 280°C
- 使用压力PRESSURE:PN63/1000WOG
- 适用介质APPLICABLE MEDIA:水WATER、气GAS、油OIL
- 设计制造DESIGN:GB/T-12224/ANSI B16.34
- 螺纹标准THREAD:BSPT/BSP/NPT/DIN/JIS/RC/G
- 检查与测试TEST:GB/T-13927/API598
- 气压测试AIR TEST:0.8MPA



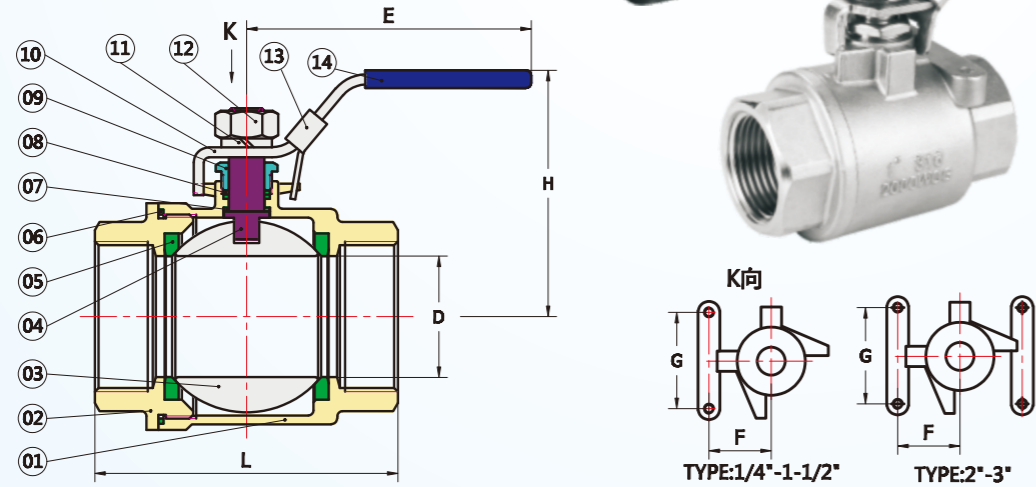
材质清单 MATERIALS LIST

SIZE	D	L			E	H	
		①	②	③-M3			
DN8	1/4"	10	55	55	55	11.5	50
DN10	3/8"	12	55	55	60	11.5	50
DN15	1/2"	15	63	55	75	14	58
DN20	3/4"	20	73	62	80	15	62
DN25	1"	25	84	72	90	15	72
DN32	1-1/4"	32	98	83	110	18	80
DN40	1-1/2"	38	106	94	120	19	90
DN50	2"	50	121	113	140	19	98
DN65	2-1/2"	64	160	140	185	23	125
DN80	3"	78	185	170	205	25	138
DN100	4"	100	225	205	240	28	156

材质清单 MATERIALS LIST

NO.	零件名称 PART NAME	材质 MATERIALS LIST		
1	阀体 BODY	CF8M	CF8	WCB
2	阀盖 END CAP	CF8M	CF8	WCB
3	球 BALL	SS316	SS304	SS304
4	阀杆 STEM	SS316	SS304	SS304
5	阀座 SEAL	RTFE	RTFE	RTFE
6	线条 BODY SEAL	PTFE	PTFE	PTFE
7	杆密封 THRUST WASHER	PTFE	PTFE	PTFE
8	中头垫 STEM PACKING	PTFE	PTFE	PTFE
9	填料压套 GLAND	SS304	SS304	SS304
10	手柄 HANDLE	SS304	SS304	SS304
11	弹垫 STUD	A193 Gr.B8	A193 Gr.B8	A193 Gr.B8
12	螺帽 NUT	A194.Gr.8	A194.Gr.8	A194.Gr.8
13	锁片 LOCKING PAD	SS304	SS304	SS304
14	胶套 HANDLE COVER	PLASTIC	PLASTIC	PLASTIC

- 防爆阀杆/全通径BLOW-OUT PROOF STEM/FULL PORT
- 适用温度范围TEMPERATURE RANGE:-20 to 280°C
- 使用压力PRESSURE:2000WOG
- 适用介质APPLICABLE MEDIA:水WATER、气GAS、油OIL
- 设计制造DESIGN:ANSI B16.34
- 螺纹标准THREAD:BSPT/BSP/NPT/DIN/JIS/RC/G
- 检查与测试TEST:GB/T-13927/API598
- 气压测试AIR TEST:0.8MPA



材质清单 MATERIALS LIST

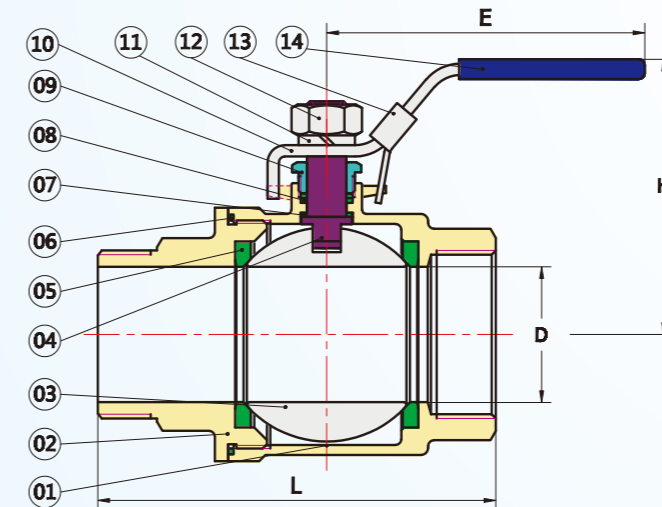
NO.	零件名称 PART NAME	材质 MATERIALS LIST		
1	阀体 BODY	CF8M	CF8	WCB
2	阀盖 END CAP	CF8M	CF8	WCB
3	球 BALL	SS316	SS304	SS304
4	阀杆 STEM	SS316	SS304	SS304
5	阀座 SEAL	RTFE	RTFE	RTFE
6	线条 BODY SEAL	PTFE	PTFE	PTFE
7	杆密封 THRUST WASHER	PTFE	PTFE	PTFE
8	中头垫 STEM PACKING	PTFE	PTFE	PTFE
9	填料压套 GLAND	SS304	SS304	SS304
10	手柄 HANDLE	SS304	SS304	SS304
11	弹垫 STUD	A193 Gr.B8	A193 Gr.B8	A193 Gr.B8
12	螺帽 NUT	A194.Gr.8	A194.Gr.8	A194.Gr.8
13	锁片 LOCKING PAD	SS304	SS304	SS304
14	胶套 HANDLE COVER	PLASTIC	PLASTIC	PLASTIC

外形尺寸 OUTER SIZE

SIZE	D	L	E	H	F	G
1/4"	11.5	60	102	46	12.7	28.5
3/8"	12	60	102	46	12.7	28.5
1/2"	25	62	105	50	12.7	28.5
3/4"	20	74	120	56	22.1	35
1"	25	83	150	74	22.1	35
1-1/4"	32	94	163	79	23.6	38
1-1/2"	38	110	170	82	23.6	38
2"	49	125	180	94	23.6	38
2-1/2"	65	158	220	130	35	54
3"	78	185	245	145	35	54

Unit:mm

- 防爆阀杆/全通径BLOW-OUT PROOF STEM/FULL PORT
- 适用温度范围TEMPERATURE RANGE:-20 to 280°C
- 使用压力PRESSURE:PN63/1000WOG
- 适用介质APPLICABLE MEDIA:水WATER、气GAS、油OIL
- 设计制造DESIGN:GB/T-12224/ANSI B16.34
- 螺纹标准THREAD:BSPT/BSP/NPT/DIN/JIS/RC/G
- 检查与测试TEST:GB/T-13927/API598
- 气压测试AIR TEST:0.8MPA



材质清单 MATERIALS LIST

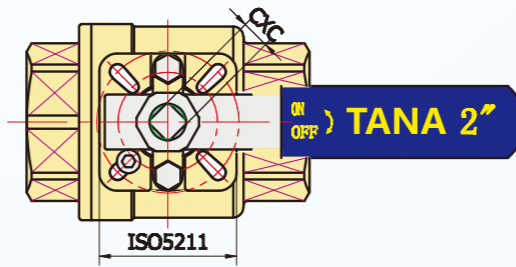
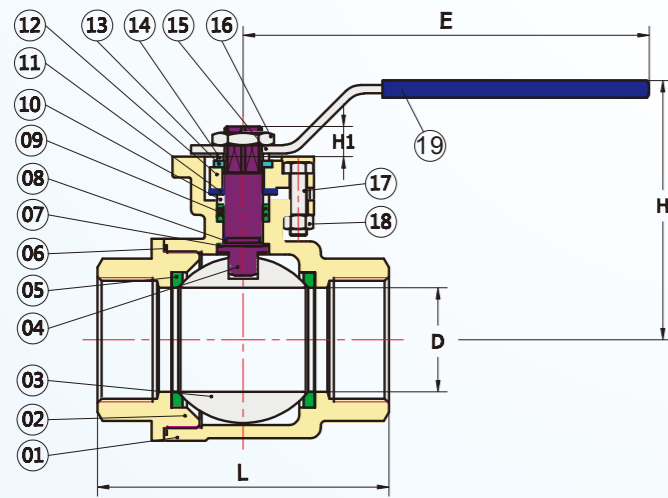
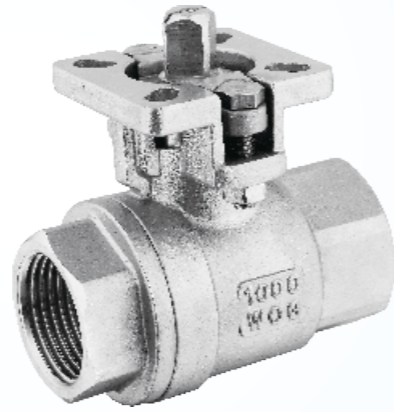
NO.	零件名称 PART NAME	材质 MATERIALS LIST		
1	阀体 BODY	CF8M	CF8	WCB
2	阀盖 END CAP	CF8M	CF8	WCB
3	球 BALL	SS316	SS304	SS304
4	阀杆 STEM	SS316	SS304	SS304
5	阀座 SEAL	RTFE	RTFE	RTFE
6	线条 BODY SEAL	PTFE	PTFE	PTFE
7	杆密封 THRUST WASHER	PTFE	PTFE	PTFE
8	中头垫 STEM PACKING	PTFE	PTFE	PTFE
9	填料压套 GLAND	SS304	SS304	SS304
10	手柄 HANDLE	SS304	SS304	SS304
11	弹垫 STUD	A193 Gr.B8	A193 Gr.B8	A193 Gr.B8
12	螺帽 NUT	A194.Gr.8	A194.Gr.8	A194.Gr.8
13	锁片 LOCKING PAD	SS304	SS304	SS304
14	胶套 HANDLE COVER	PLASTIC	PLASTIC	PLASTIC

外形尺寸 OUTER SIZE

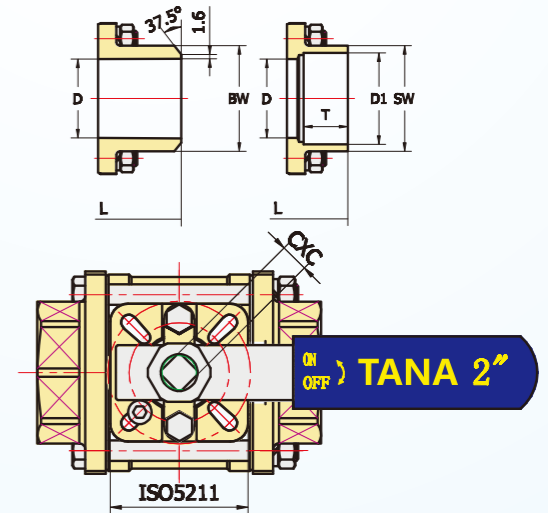
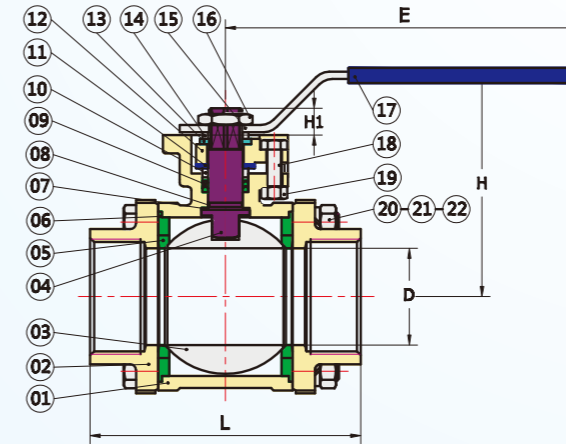
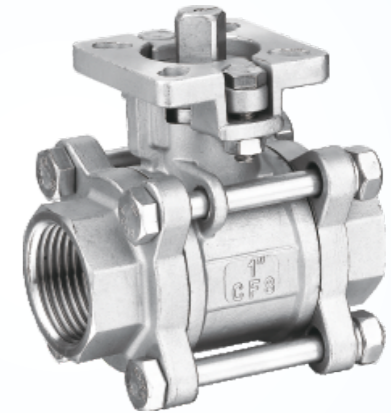
SIZE	D	L	E	H
1/4"	8	75	102	42
3/8"	10	75	102	42
1/2"	15	75	98	58
3/4"	20	85	118	65
1"	25	95	126	64
1-1/4"	32	115	136	80
1-1/2"	40	130	145	86
2"	50	155	173	95.5

Unit:mm

- 防爆阀杆/全通径BLOW-OUT PROOF STEM/FULL PORT
- 适用温度范围TEMPERATURE RANGE:-20 to 280°C
- 使用压力PRESSURE:PN63/1000WOG
- 适用介质APPLICABLE MEDIA:水WATER、气GAS、油OIL
- 设计制造DESIGN:GB/T-12224/ANSI B16.34
- 螺纹标准THREAD:BSPT/BSP/NPT/DIN/JIS/RC/G
- 检查与测试TEST:GB/T-13927/API598
- 气压测试AIR TEST:0.8MPA



- 防爆阀杆/全通径BLOW-OUT PROOF STEM/FULL PORT
- 适用温度范围TEMPERATURE RANGE:-20 to 280°C
- 使用压力PRESSURE:PN63/1000WOG
- 适用介质APPLICABLE MEDIA:水WATER、气GAS、油OIL
- 设计制造DESIGN:GB/T-12224/ANSI B16.34
- 螺纹标准THREAD:BSPT/BSP/NPT/DIN/JIS/RC/G
- 检查与测试TEST:GB/T-13927/API598
- 气压测试AIR TEST:0.8MPA



材质清单 MATERIALS LIST

NO.	零件名称 PART NAME	材质 MATERIALS LIST
1	阀体 BODY	CF8M CF8
2	阀盖 END CAP	CF8M CF8
3	球 BALL	SS316 SS304
4	阀杆 STEM	SS316 SS304
5	阀座 SEAL	RTFE RTFE
6	线条 BODY SEAL	PTFE PTFE
7	杆密封 THRUST WASHER	PTFE PTFE
8	O型圈 STEM O-RING	VITON VITON
9	中头垫 STEM PACKING	PTFE PTFE
10	填料压套 GLAND	SS304 SS304
11	碟簧 BELLEVILLE WASHER	SS304 SS304
12	填料压套 GLAND	SS304 SS304
13	定位片 STOP WASHER	SS304 SS304
14	金属垫 WASHER	SS304 SS304
15	手柄 HANDLE	SS304 SS304
16	螺帽 HANDLE NUT	SS304 SS304
17	螺栓 BOLT	SS304 SS304
18	螺母 NUT	SS304 SS304
19	胶套 HANDLE COVER	PLASTIC PLASTIC

外形尺寸 OUTER SIZE

SIZE	D	L	E	H	H1	C
1/2"	15	62	120	70	9	9
3/4"	20	74	137	78	9	11
1"	25	86	137	82	11	11
1-1/4"	32	96	187	88	11	11
1-1/2"	38	108	187	93	14	11
2"	50	120	187	103	14	14
2-1/2"	65	160	315	165	17	17
3"	85	185	315	180	17	17
4"	100	225	265	200	17	17

材质清单 MATERIALS LIST

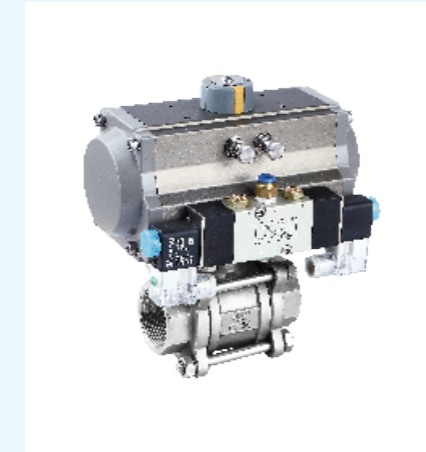
NO.	零件名称 PART NAME	材质 MATERIALS LIST
1	阀体 BODY	CF8M CF8
2	阀盖 END CAP	CF8M CF8
3	球 BALL	SS316 SS304
4	阀杆 STEM	SS316 SS304
5	阀座 SEAL	RTFE RTFE
6	线条 BODY SEAL	PTFE PTFE
7	杆密封 THRUST WASHER	PTFE PTFE
8	O型圈 STEM O-RING	VITON VITON
9	中头垫 STEM PACKING	PTFE PTFE
10	填料压套 GLAND	SS304 SS304
11	碟簧 BELLEVILLE WASHER	SS304 SS304
12	填料压套 GLAND	SS304 SS304
13	定位片 STOP WASHER	SS304 SS304
14	金属垫 WASHER	SS304 SS304
15	手柄 HANDLE	SS304 SS304
16	螺帽 HANDLE NUT	SS304 SS304
17	胶套 HANDLE COVER	PLASTIC PLASTIC
18	螺栓 BOLT	SS304 SS304
19	螺母 NUT	SS304 SS304
20	螺母 NUT	SS304 SS304
21	弹垫 STUD	SS304 SS304
22	螺栓 BOLT	SS304 SS304

外形尺寸 OUTER SIZE

SIZE	L2(M3)	D1	T	BW	H	E	H1	C
1/4"	55	14.1	10	26.5	63	99	8	9
3/8"	60	17.6	10	26.5	63	99	8	9
1/2"	75	21.8	10	26.5	70	102	8.5	9
3/4"	80	27.5	13	33	80	116	9	9
1"	90	34.7	13	39.7	90	145	11	11
1-1/4"	110	43	13	49	95	156	11	11
1-1/2"	120	49	13	54	105	172	14	14
2"	140	61.5	16	66.7	112	174	14	14
2-1/2"	185	77	16	84.5	174	213	16	17
3"	205	90	16	97	185	255	16	17
4"	240	115.2	19	127.5	205	255	16.5	19



气动内螺纹三通球阀
Pneumatic thread three way ball valve



气动内螺纹三片式球阀
Pneumatic thread 3PC ball valve



气动内螺纹二片式球阀
Pneumatic thread 2PC ball valve



气动卫生级快装蝶阀
Pneumatic sanitation butterfly valve



气动快装三片式球阀
Pneumatic 3PC ball valve



气动国标法兰球阀
Pneumatic GB flange ball valve



电动国标法兰球阀
Electric GB flange ball valve

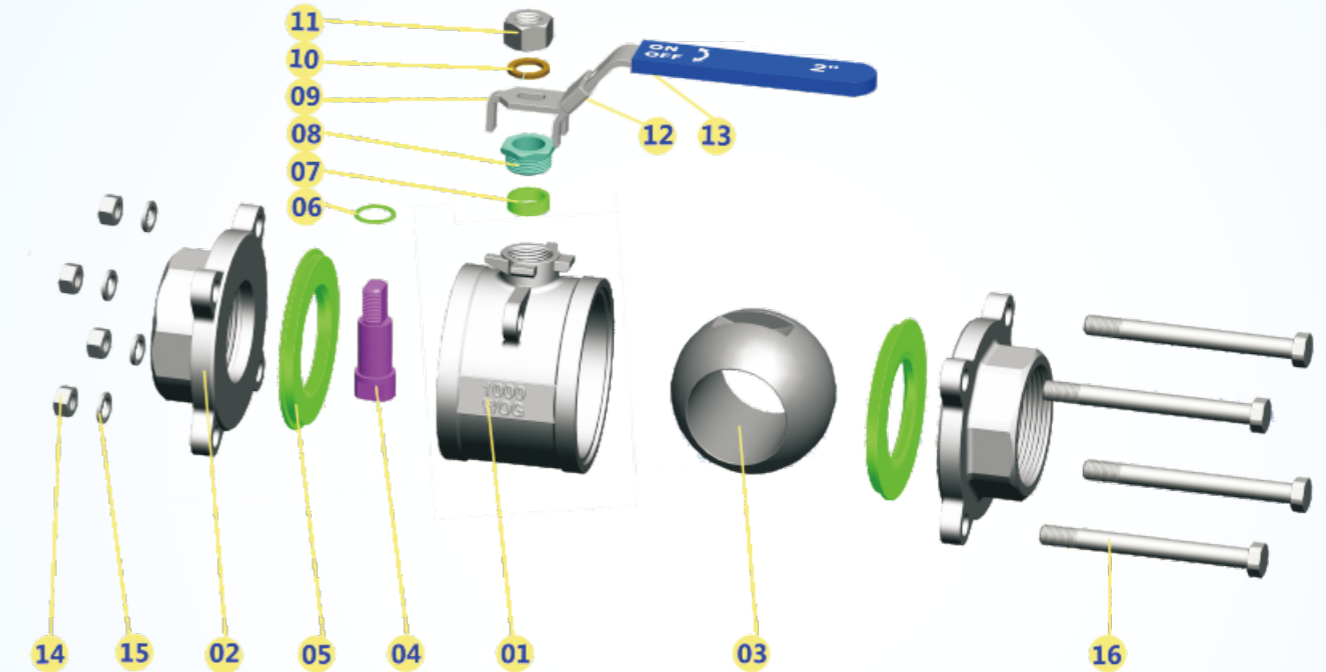
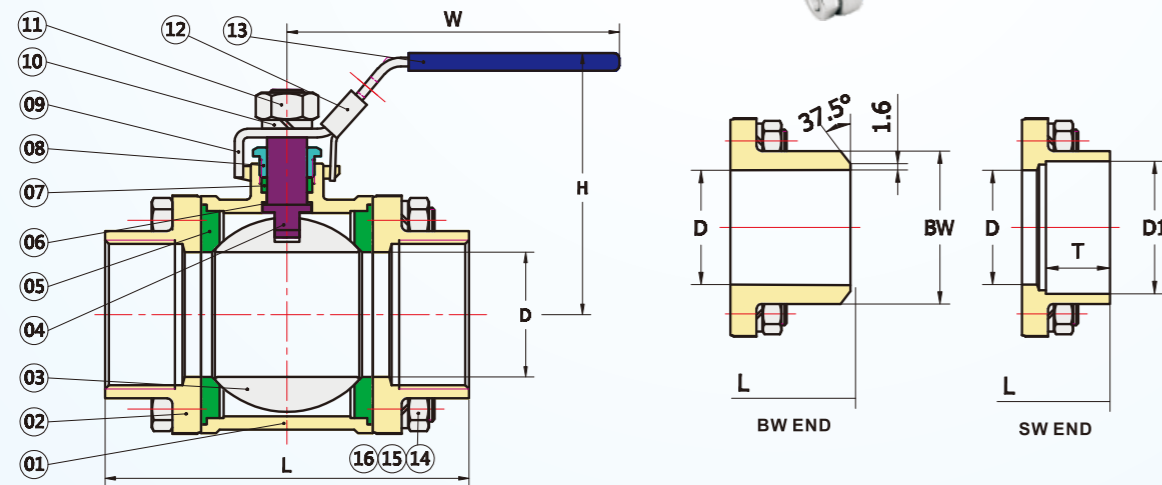


气动国标法兰球阀
Pneumatic GB flange ball valve



电动国标法兰球阀
Electric GB flange ball valve

- 防爆阀杆/全口径BLOW-OUT PROOF STEM/FULL PORT
- 适用温度范围TEMPERATURE RANGE:-20 to 280°C
- 使用压力PRESSURE:PN63/1000WOG
- 适用介质APPLICABLE MEDIA:水WATER、气GAS、油OIL
- 设计制造DESIGN:GB/T-12224/ANSI B16.34
- 螺纹标准THREAD:BSPT/BSP/NPT/DIN/JIS/RC/G
- 检查与测试TEST:GB/T-13927/API598
- 气压测试AIR TEST:0.8MPA



外形尺寸 OUTER SIZE

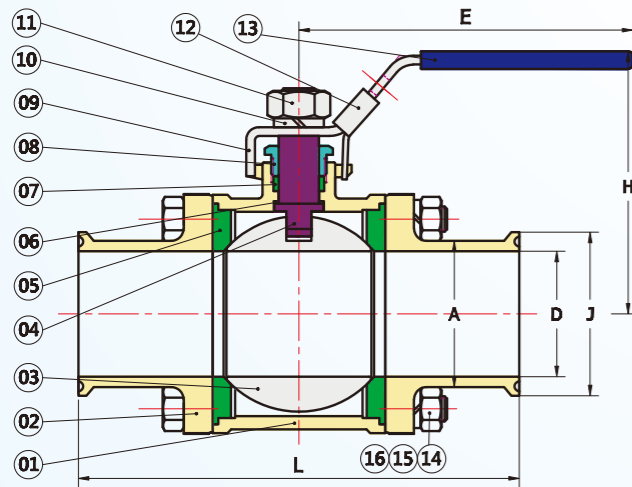
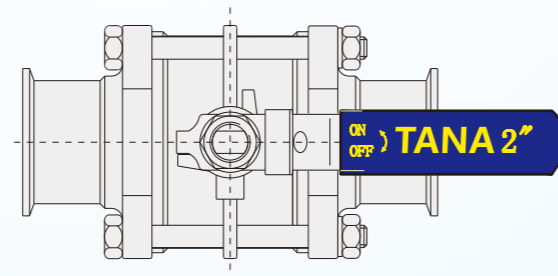
Unit:mm

SIZE	L	L2(M3)	D1	T	BW	H	E	
1/4"	65	55	14.1	10	26.5	56.5	99	
3/8"	65	60	17.6	10	26.5	56.5	99	
1/2"	73	63	75	21.8	10	26.5	58	102
3/4"	83	72	80	27.5	13	33	60	116
1"	88	82	90	34.7	13	39.7	74	145
1-1/4"	98	95	110	43	13	49	75	156
1-1/2"	115	104	120	49	13	54	93	172
2"	140	122	140	61.5	16	66.7	106	174
2-1/2"	180	160	185	77	16	84.5	119	213
3"	205	180	205	90	16	97	133	255
4"	255	215	240	115.2	19	127.5	170	255

材质清单 MATERIALS LIST

NO.	零件名称 PART NAME	材质 MATERIALS LIST		
1	阀体 BODY	CF8M	CF8	WCB
2	阀盖 END CAP	CF8M	CF8	WCB
3	球 BALL	SS316	SS304	SS304
4	阀杆 STEM	SS316	SS304	SS304
5	阀座 SEAL	RTFE	RTFE	RTFE
6	杆密封 THRUST WASHER	PTFE	PTFE	PTFE
7	中头垫 STEM PACKING	PTFE	PTFE	PTFE
8	填料压套 GLAND	SS304	SS304	SS304
9	手柄 HANDLE	SS304	SS304	SS304
10	弹垫 STOD	SS304	SS304	SS304
11	螺帽 HANDLE NUT	SS304	SS304	SS304
12	锁片 LOCKING PAD	SS304	SS304	SS304
13	胶套 HANDLE COVER	PLASTIC	PLASTIC	PLASTIC
14	螺母 NUT	SS304	SS304	SS304
15	弹垫 STUD	A193 Gr.B8	A193 GR.B8	A193 Gr.B8
16	螺栓 BOLT	A194.Gr.8	A194.GR.8	A194.Gr.8

- 防爆阀杆/全通径BLOW-OUT PROOF STEM/FULL PORT
- 适用温度范围 TEMPERATURE RANGE: -20 to 280°C
- 使用压力 PRESSURE: PN63/1000WOG
- 适用介质 APPLICABLE MEDIA: 水WATER、气GAS、油OIL
- 设计制造 DESIGN: GB/T-12224/ANSI B16.34
- 螺纹标准 THREAD: BSPT/BSP/NPT/DIN/JIS/RC/G
- 检查与测试 TEST: GB/T-13927/API598
- 气压测试 AIR TEST: 0.8MPA



材质清单 MATERIALS LIST

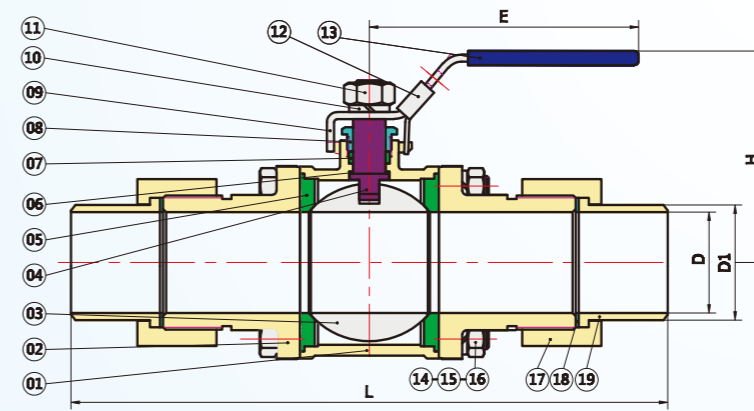
NO.	零件名称 PART NAME	材质 MATERIALS LIST	
1	阀体 BODY	CF8M	CF8
2	阀盖 END CAP	CF8M	CF8
3	球 BALL	SS316	SS304
4	阀杆 STEM	SS316	SS304
5	阀座 SEAL	RTFE	RTFE
6	杆密封 THRUST WASHER	PTFE	PTFE
7	中头垫 STEM PACKING	PTFE	PTFE
8	填料压套 GLAND	SS304	SS304
9	手柄 HANDLE	SS304	SS304
10	弹垫 STOD	SS304	SS304
11	螺帽 HANDLE NUT	SS304	SS304
12	锁片 LOCKING PAD	SS304	SS304
13	胶套 HANDLE COVER	PLASTIC	PLASTIC
14	螺母 NUT	SS304	SS304
15	弹垫 STUD	A193 Gr.B8	A193 Gr.B8
16	螺栓 BOLT	A194.Gr.8	A194.Gr.8

外形尺寸 OUTER SIZE

Unit:mm

SIZE	L	A	D	t	J	M	H	E
1/2"	85.9	12.70	9.40	1.65	25.4	16.7	58.0	122.9
3/4"	97.5	19.05	15.75	1.65	25.4	27.5	61.0	122.9
1"	108.2	25.50	22.20	1.65	50.4	28.6	68.0	144.9
1 1/2"	135.8	38.20	34.90	1.65	50.4	31.4	84.5	188.9
2"	154.7	50.80	47.50	1.65	63.9	34.0	93.2	188.9
2 1/2"	168.5	63.60	60.30	1.65	77.5	28.0	131.8	255.3
3"	196.2	76.30	73.00	1.65	90.9	31.6	140.0	260.8
4"	232.5	101.60	94.40	2.10	118.9	34.0	173.6	322.2

- 防爆中轴/全流BLOW-OUT PROOF STEM/FULL PORT
- 适用温度范围TEMPERATURE RANGE:-20 to 150°C
- 使用压力PRESSURE:PN63/1000WOG
- 设计制造DESIGN:GB/T-12237/ANSI B16.34
- 尺寸参照FLANGE DIMENSIONS:GB/ T-9113.1 /ASME B16.5 CLASS 150
- 长度FACE TO FACE:GB/T-12221/ASMW B16.1
- 螺纹标准THREAD:BSPT/BSP/NPT/DIN/JIS/RC/G
- 检查与测试TEST:GB/T-13927/API598



材质清单 MATERIALS LIST

NO.	零件名称 PART NAME	材质 MATERIALS LIST	
1	阀体 BODY	CF8M	CF8
2	阀盖 END CAP	CF8M	CF8
3	球 BALL	SS316	SS304
4	阀杆 STEM	SS316	SS304
5	阀座 SEAL	RTFE	RTFE
6	杆密封 THRUST WASHER	PTFE	PTFE
7	中头垫 STEM PACKING	PTFE	PTFE
8	填料压套 GLAND	SS304	SS304
9	手柄 HANDLE	SS304	SS304
10	弹垫 STOP	SS304	SS304
11	螺帽 HANDLE NUT	SS304	SS304
12	锁片 LOCKING PAD	SS304	SS304
13	胶套 HANDLE COVER	PLASTIC	PLASTIC
14	接管螺母 CAP NUT	SS304	SS304
15	接管 CAP	SS304	SS304
16	接管垫片 CAP SEAL	PTFE	PTFE
17	螺母 NUT	SS304	SS304
18	弹垫 STUD	A193 Gr.B8	A193 Gr.B8
19	螺栓 BOLT	A194.Gr.8	A194.Gr.8

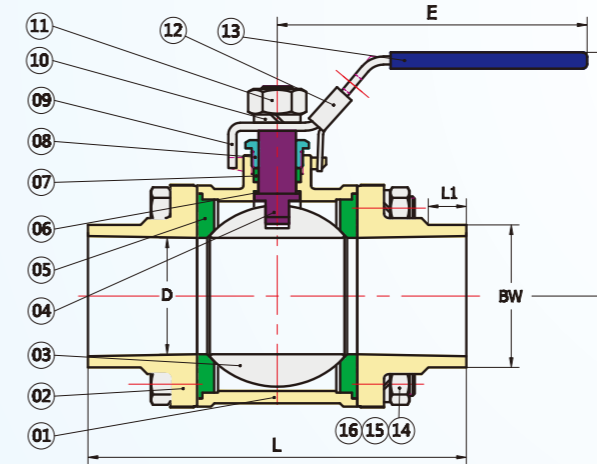
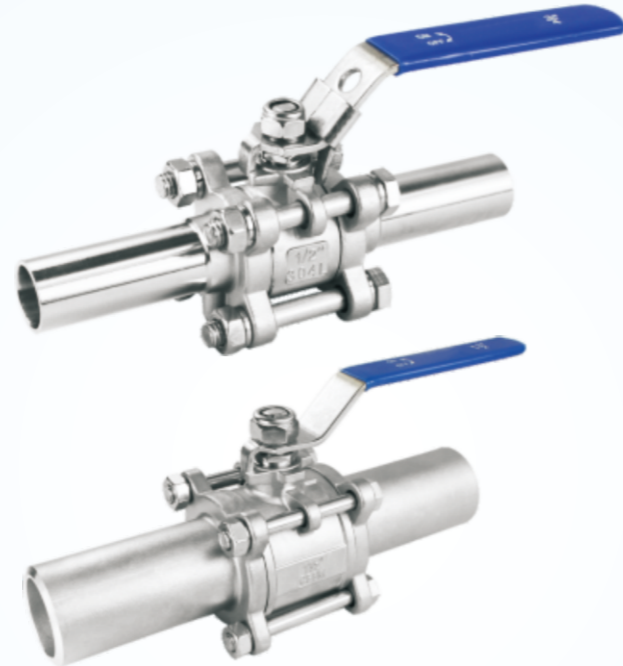
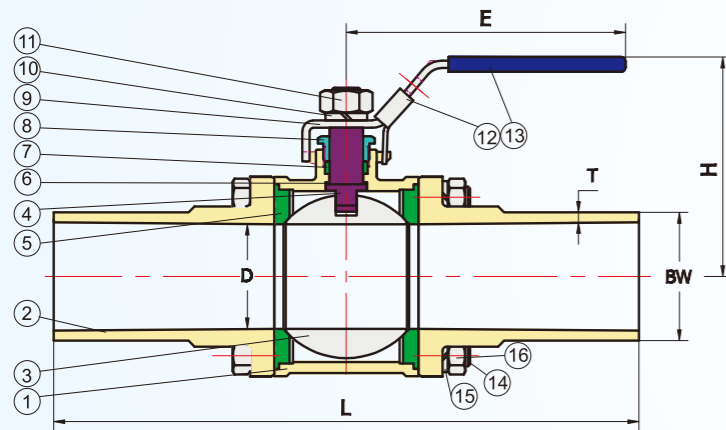
外形尺寸 OUTER SIZE

Unit:mm

SIZE	L	D	D1	H	E
1/4"	140	11.5	14	57	95
3/8"	160	12.5	18	57	95
1/2"	180	15	22	68	110
3/4"	200	20	28	70	125
1"	218	25	34	80	125
1-1/4"	235	32	42	85	135
1-1/2"	260	38	46	95	155
2"	300	50	60	105	155

- 防爆阀杆/全通径BLOW-OUT PROOF STEM/FULL PORT
- 适用温度范围TEMPERATURE RANGE:-20 to 280°C
- 使用压力PRESSURE:PN63/1000WOG
- 适用介质APPLICABLE MEDIA:水WATER、气GAS、油OIL
- 设计制造DESIGN:GB/T-12224/ANSI B16.34
- 螺纹标准THREAD:BSPT/BSP/NPT/DIN/JIS/RC/G
- 检查与测试TEST:GB/T-13927/API598
- 气压测试AIR TEST:0.8MPA

- 防爆阀杆/全通径BLOW-OUT PROOF STEM/FULL PORT
- 适用温度范围TEMPERATURE RANGE:-20 to 280°C
- 使用压力PRESSURE:PN63/1000WOG
- 适用介质APPLICABLE MEDIA:水WATER、气GAS、油OIL
- 设计制造DESIGN: GB/T-12224/ANSI B16.34
- 螺纹标准THREAD: BSPT/BSP/NPT/DIN/JIS/RC/G
- 检查与测试TEST: GB/T-13927/API598
- 气压测试AIR TEST: 0.8MPA



材质清单 MATERIALS LIST

NO.	零件名称 PART NAME	材质 MATERIALS LIST
1	阀体 BODY	CF8M CF8
2	阀盖 END CAP	CF8M CF8
3	球 BALL	316 304
4	阀杆 STEM	316 304
5	球密封 SEAT	PTFE PTFE
6	杆密封 THRUST WASHER	PTFE PTFE
7	中头垫 STEM PACKING	PTFE PTFE
8	填料压套 GLAND	304 304
9	手柄 HANDLE	SS SS
10	弹垫 STOD	304 304
11	螺帽 HANDLE NUT	304 304
12	锁片 LOCKING PAD	SS SS
13	胶套 HANDLE COVER	PLASTIC PLASTIC
14	螺母 NUT	304 304
15	弹垫 STOD	304 304
16	螺帽 HANDLE NUT	304 304

外形尺寸 OUTER SIZE

Unit:mm

SIZE	BW	L	E	H	D	T	
DN15	1/2"	10.2	135	122.9	58.0	12.70	1.24
DN20	3/4"	15.8	135	122.9	61.0	19.05	1.65
DN25	1"	22.1	152	144.9	68.0	25.40	1.65
DN32	1-1/4"	28.5	157	144.9	73.5	31.80	1.65
DN40	1-1/2"	34.8	190	188.9	84.5	38.10	1.65
DN50	2"	47.5	204	188.9	93.2	50.80	1.65
DN65	2-1/2"	60.2	254	255.3	131.8	63.50	1.65
DN80	3"	72.9	280	260.8	140.0	76.20	1.65
DN100	4"	97.4	306	322.2	173.6	101.6	1.65

材质清单 MATERIALS LIST

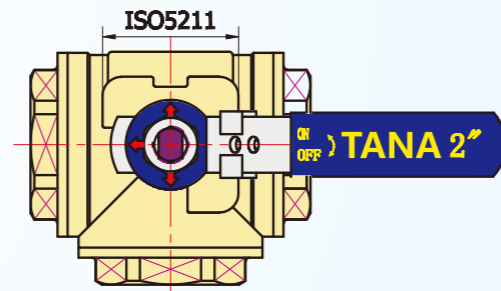
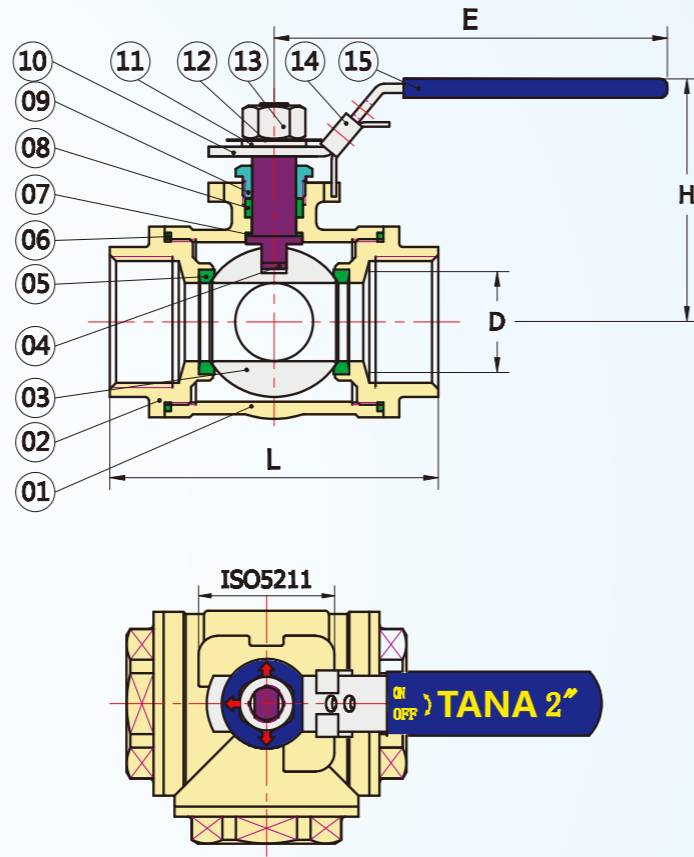
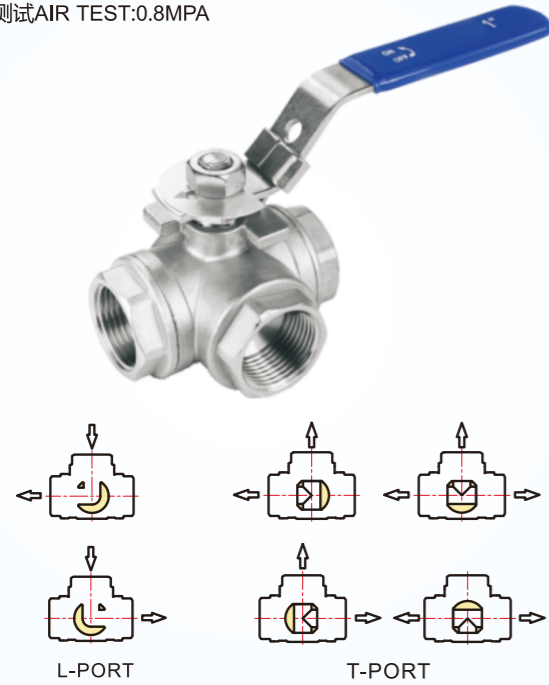
NO.	零件名称 PART NAME	材质 MATERIALS LIST
1	阀体 BODY	CF8M CF8
2	阀盖 END CAP	CF8M CF8
3	球 BALL	316 304
4	阀杆 STEM	316 304
5	球密封 SEAT	PTFE PTFE
6	杆密封 THRUST WASHER	PTFE PTFE
7	中头垫 STEM PACKING	PTFE PTFE
8	填料压套 GLAND	304 304
9	手柄 HANDLE	SS SS
10	弹垫 STOD	304 304
11	螺帽 HANDLE NUT	304 304
12	锁片 LOCKING PAD	SS SS
13	胶套 HANDLE COVER	PLASTIC PLASTIC
14	螺母 NUT	304 304
15	弹垫 STOD	304 304
16	螺帽 HANDLE NUT	304 304

外形尺寸 OUTER SIZE

Unit:mm

SIZE	L	L1	E	H	D	BW	
DN15	1/2"	82.5	20.0	122.9	58.0	10.2	12.7
DN20	3/4"	87.5	20.0	122.9	61.0	15.8	19.1
DN25	1"	96.0	20.0	144.9	68.0	22.1	25.4
DN40	1-1/2"	118.0	20.0	188.9	84.5	34.8	38.2
DN50	2"	131.7	20.0	188.9	93.2	47.5	50.8
DN65	2-1/2"	158.5	20.0	255.3	131.8	60.2	63.4
DN80	3"	178.8	20.0	260.8	140.0	72.9	76.2
DN100	4"	210.5	20.0	322.2	173.6	97.4	101.6

- 防爆阀杆/全通径BLOW-OUT PROOF STEM/FULL PORT
- 适用温度范围TEMPERATURE RANGE:-20 to 280°C
- 使用压力PRESSURE:PN63/1000WOG
- 适用介质APPLICABLE MEDIA:水WATER、气GAS、油OIL
- 设计制造DESIGN:GB/T-12224/ANSI B16.34
- 螺纹标准THREAD:BSPT/BSP/NPT/DIN/JIS/RC/G
- 检查与测试TEST:GB/T-13927/API598
- 气压测试AIR TEST:0.8MPA



材质清单 MATERIALS LIST

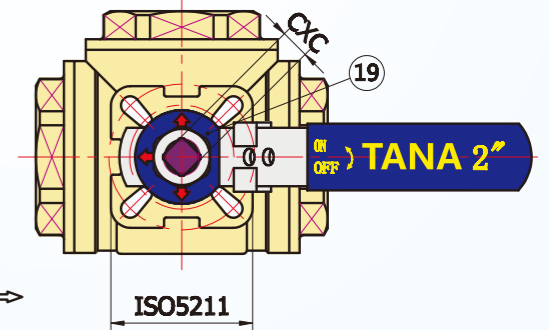
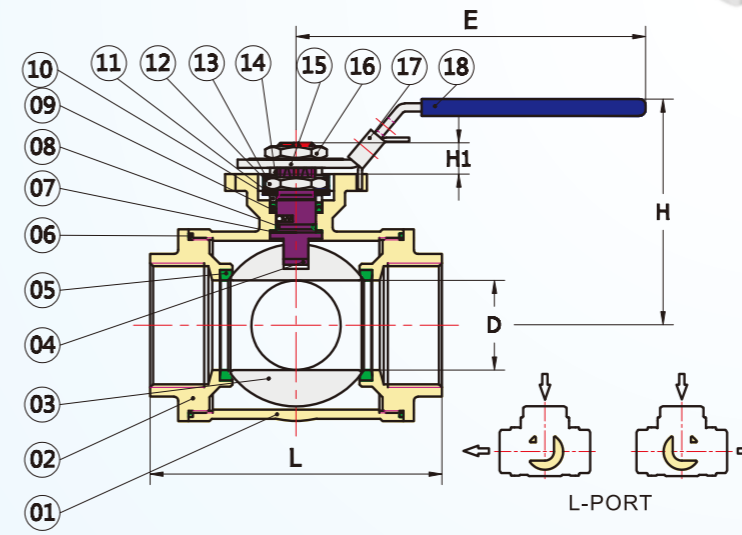
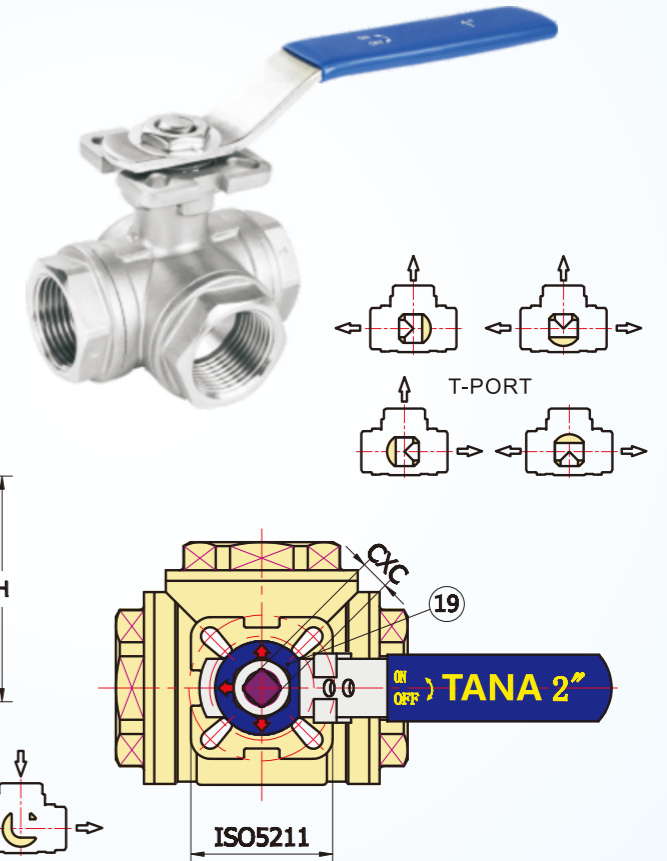
NO.	零件名称 PART NAME	材质 MATERIALS LIST
1	阀体 BODY	CF8M CF8
2	阀盖 END CAP	CF8M CF8
3	球 BALL	SS316 SS304
4	阀杆 STEM	SS316 SS304
5	阀座 SEAL	RTFE RTFE
6	线条 BODY SEAL	PTFE PTFE
7	杆密封 THRUST WASHER	PTFE PTFE
8	中头垫 STEM PACKING	PTFE PTFE
9	填料压套 GLAND	SS304 SS304
10	手柄 HANDLE	SS304 SS304
11	弹垫 STOD	SS304 SS304
12	方向指示片 INDICATOR	ALUMINUM ALUMINUM
13	螺帽 HANDLE NUT	SS304 SS304
14	锁片 LOCKING PAD	SS304 SS304
15	胶套 HANDLE COVER	PLASTIC PLASTIC

外形尺寸 OUTER SIZE

SIZE	D	L	H	E
1/2"	12.5	68	69	115
3/4"	15	78	72	115
1"	20	90	77	135
1-1/4"	25	105	86	150
1-1/2"	32	120	95	182
2"	38	140	122	215

Unit:mm

- 防爆阀杆/全通径BLOW-OUT PROOF STEM/FULL PORT
- 适用温度范围TEMPERATURE RANGE:-20 to 280°C
- 使用压力PRESSURE:PN63/1000WOG
- 适用介质APPLICABLE MEDIA:水WATER、气GAS、油OIL
- 设计制造DESIGN:GB/T-12224/ANSI B16.34
- 螺纹标准THREAD:BSPT/BSP/NPT/DIN/JIS/RC/G
- 检查与测试TEST:GB/T-13927/API598
- 气压测试AIR TEST:0.8MPA



材质清单 MATERIALS LIST

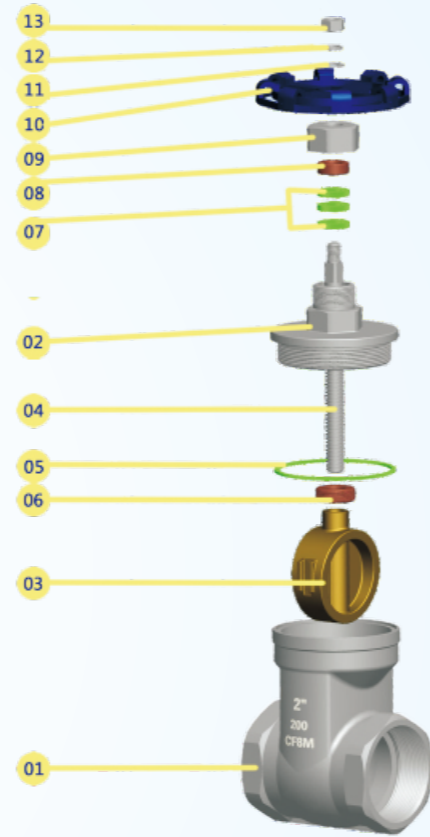
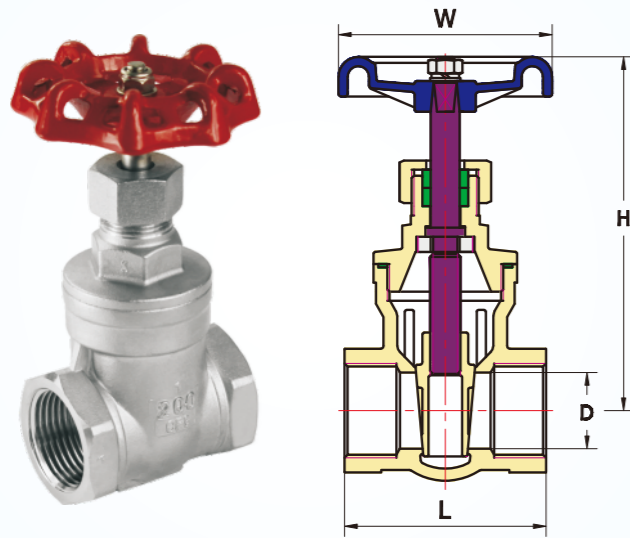
NO.	零件名称 PART NAME	材质 MATERIALS LIST
1	阀体 BODY	CF8M CF8
2	阀盖 END CAP	CF8M CF8
3	球 BALL	SS316 SS304
4	阀杆 STEM	SS316 SS304
5	阀座 SEAL	RTFE RTFE
6	线条 BODY SEAL	PTFE PTFE
7	杆密封 THRUST WASHER	PTFE PTFE
8	O型圈 STEM O-RING	VITON VITON
9	中头垫 STEM PACKING	PTFE PTFE
10	填料压套 GLAND	SS304 SS304
11	碟簧 BELLEVILLE WASHER	SS304 SS304
12	下螺帽 STOP NUT	SS304 SS304
13	防松盖 STOP WASHER	SS304 SS304
14	垫片压簧 FILLING DAMPING RING	SS304 SS304
15	手柄 HANDLE	SS304 SS304
16	胶套 HANDLE COVER	PLASTIC PLASTIC
17	螺帽 HANDLE NUT	SS304 SS304
18	锁片 LOCKING PAD	SS304 SS304
19	方向指示片 INDICATOR	ALUMINUM ALUMINUM

外形尺寸 OUTER SIZE

SIZE	L	H	E	H1	C
1/4"	68	71	120	9	9
3/8"	68	71	120	9	9
1/2"	68	71	120	9	9
3/4"	88	74	120	9	9
1"	90	90	135	11	11
1-1/4"	105	95	187	11	11
1-1/2"	120	99	187	14	14
2"	140	108	187	14	14
2-1/2"	185	140	220	18	17
3"	205	150	250	18	17

Unit:mm

- 防爆中轴/全流BLOW-OUT PROOF STEM/FULL PORT
- 适用温度范围TEMPERATURE RANGE:-20 to 150°C
- 使用压力PRESSURE:PN63/1000WOG
- 设计制造DESIGN:GB/T-12237/ANSI B16.34
- 尺寸参照FLANGE DIMENSIONS:GB/ T-9113.1 /ASME B16.5 CLASS 150
- 长度FACE TO FACE:GB/T-12221/ASMW B16.1
- 螺纹标准THREAD:BSPT/BSP/NPT/DIN/JIS/RC/G
- 检查与测试TEST:GB/T-13927/API598



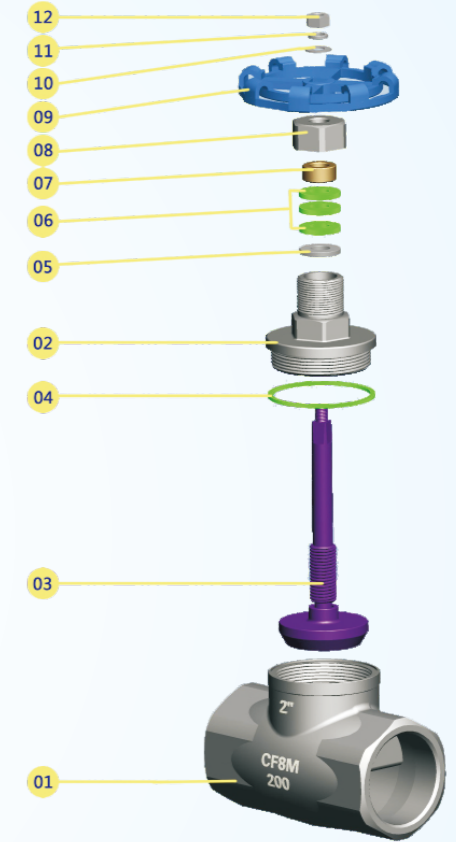
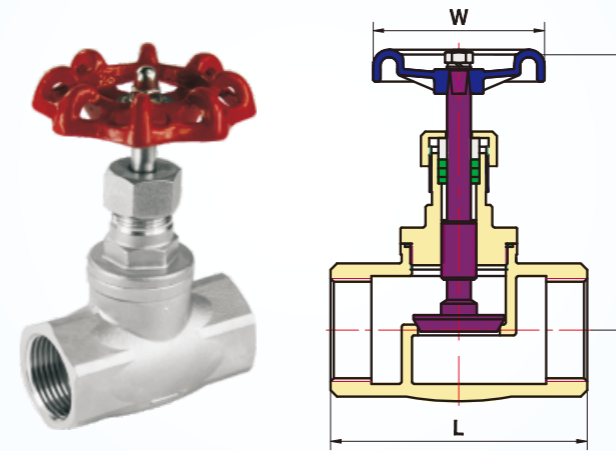
材质清单 MATERIALS LIST

NO.	零件名称 PART NAME	材质 MATERIALS LIST
1	阀体 BODY	不锈钢 CF8M CF8
2	阀盖 END CAP	不锈钢 CF8M CF8
3	闸板 WEDGE DISC	不锈钢 CF8M CF8
4	阀杆 STEM	不锈钢 SS316 304
5	线条 BODY SEAL	聚四氟乙烯 PTFE
6	止推垫片 THRUST WASHER	聚四氟乙烯 PTFE
7	填料 PACKING	不锈钢 SS304
8	填料压套 GLAND	不锈钢 SS316 304
9	填料压盖螺母 PACKING GLAND NUT	不锈钢 SS316 304
10	手轮 HANDWHEEL	
11	金属垫片 WASHER	不锈钢 SS304
12	弹垫 STUD	不锈钢 SS304
13	螺帽 NUT	不锈钢 SS304

外形尺寸 OUTER SIZE

SIZE	L	D	H	W	Unit:mm
1/2"	56	14	96	70	
3/4"	62	20	102	70	
1"	65	24	114	70	
1-1/4"	78	30	132	70	
1-1/2"	88	37.6	146	97	
2"	98	47	170	97	
2-1/2"	120	63	210	126	
3"	130	76	237	126	
4"	165	95	304	150	

- 防爆中轴/全流BLOW-OUT PROOF STEM/FULL PORT
- 适用温度范围TEMPERATURE RANGE:-20 to 150°C
- 使用压力PRESSURE:PN63/1000WOG
- 设计制造DESIGN:GB/T-12237/ANSI B16.34
- 尺寸参照FLANGE DIMENSIONS:GB/ T-9113.1 /ASME B16.5 CLASS 150
- 长度FACE TO FACE:GB/T-12221/ASMW B16.1
- 螺纹标准THREAD:BSPT/BSP/NPT/DIN/JIS/RC/G
- 检查与测试TEST:GB/T-13927/API598



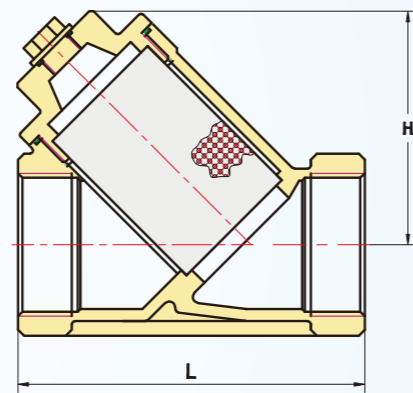
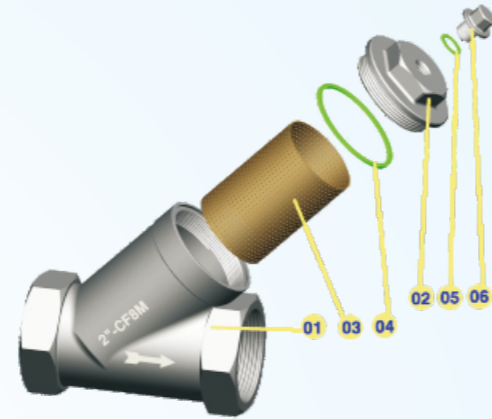
材质清单 MATERIALS LIST

NO.	零件名称 PART NAME	材质 MATERIALS LIST
1	阀体 BODY	不锈钢 CF8M CF8
2	闸瓣阀杆 GATE DISC STEM	不锈钢 CF8M CF8
3	阀盖 END CAP	不锈钢 CF8M CF8
4	线条 BODY SEAL	聚四氟乙烯 PTFE
5	金属垫片 WASHER	不锈钢 SS316 304
6	填料 PACKING	聚四氟乙烯 PTFE
7	填料压套 GLAND	不锈钢 SS316 304
8	填料压盖螺母 PACKING GLAND NUT	不锈钢 SS316 304
9	手轮 HANDWHEEL	
10	金属垫片 WASHER	不锈钢 SS316 304
11	弹垫 STUD	不锈钢 SS316 304
12	螺帽 NUT	不锈钢 SS316 304

外形尺寸 OUTER SIZE

SIZE	L	W	H	Unit:mm
1/4"	65	72	87	
3/8"	65	72	87	
1/2"	65	72	87	
3/4"	80	72	90	
1"	90	72	110	
1-1/4"	105	98	119	
1-1/2"	120	98	136	
2"	140	98	148	

- 防爆中轴/全流BLOW-OUT PROOF STEM/FULL PORT
- 适用温度范围TEMPERATURE RANGE:-20 to 150°C
- 使用压力PRESSURE:PN63/1000WOG
- 设计制造DESIGN:GB/T-12237/ANSI B16.34
- 尺寸参照FLANGE DIMENSIONS:GB/ T-9113.1 /ASME B16.5 CLASS 150
- 长度FACE TO FACE:GB/T-12221/ASMW B16.1
- 螺纹标准THREAD:BSPT/BSP/NPT/DIN/JIS/RC/G
- 检查与测试TEST:GB/T-13927/API598



材质清单 MATERIALS LIST

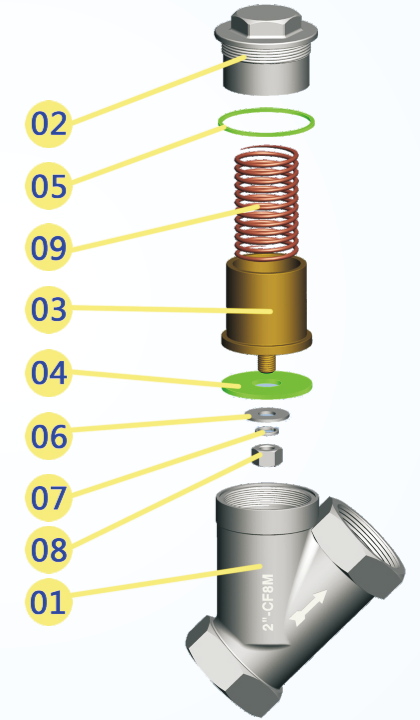
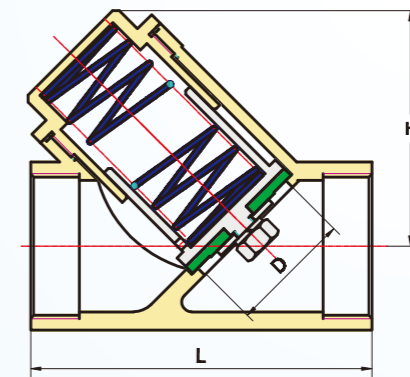
NO.	零件名称 PART NAME	材质 MATERIALS LIST
1	阀体 BODY	不锈钢 CF8M/CF8
2	阀盖 END CAP	不锈钢 CF8M/CF8
3	过滤网 FILTER NET	不锈钢 CF8M/CF8
4	线条 BODY SEAL	聚四氟乙烯 PTFE
5	螺帽线条 NUT LINE	聚四氟乙烯 PTFE
6	螺帽 HANDLE NUT	不锈钢 SS316/304

外形尺寸 OUTER SIZE

SIZE	L	H
3/8"	65	38
1/2"	65	38
3/4"	78	48
1"	90	57
1-1/4"	106	62
1-1/2"	120	67
2"	140	79
2-1/2"	178	105
3"	215	131
4"	264	159

Unit:mm

- 防爆中轴/全流BLOW-OUT PROOF STEM/FULL PORT
- 适用温度范围TEMPERATURE RANGE:-20 to 150°C
- 使用压力PRESSURE:PN63/1000WOG
- 设计制造DESIGN:GB/T-12237/ANSI B16.34
- 尺寸参照FLANGE DIMENSIONS:GB/ T-9113.1 /ASME B16.5 CLASS 150
- 长度FACE TO FACE:GB/T-12221/ASMW B16.1
- 螺纹标准THREAD:BSPT/BSP/NPT/DIN/JIS/RC/G
- 检查与测试TEST:GB/T-13927/API598



材质清单 MATERIALS LIST

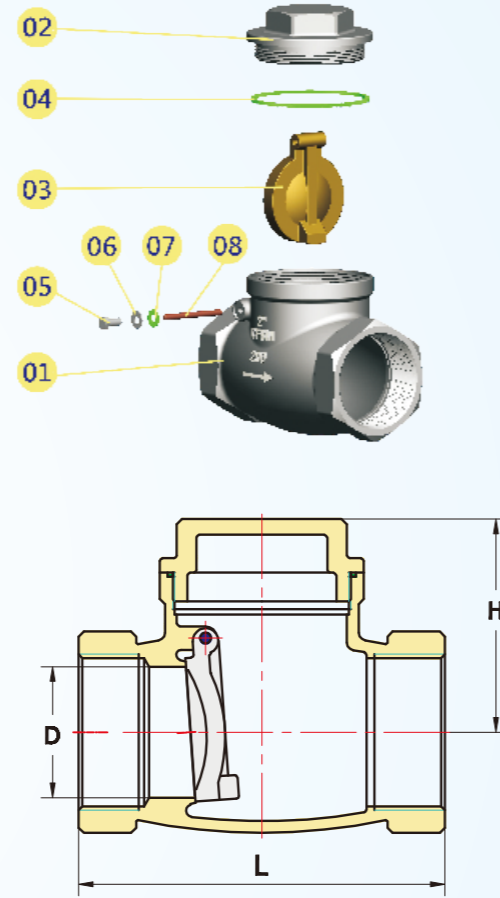
NO.	零件名称 PART NAME	材质 MATERIALS LIST
1	阀体 BODY	不锈钢 CF8M CF8
2	阀盖 END CAP	不锈钢 CF8M CF8
3	阀瓣 DISC	不锈钢 CF8M CF8
4	阀座 SEAL	氟橡胶
5	线条 BODY SEAL	聚四氟乙烯 PTFE
6	金属垫片 WASHER	不锈钢 SS316 304
7	弹垫 STUD	不锈钢 SS316 304
8	螺母 NUT	不锈钢 SS316 304
9	弹簧 SPRING	不锈钢 SS316 304

外形尺寸 OUTER SIZE

SIZE	D	H	L
1/4"	13	45.2	65
3/8"	13	45.2	65
1/2"	16	45.2	65
3/4"	20	55.7	78
1"	25.5	68.3	90
1-1/4"	33	72.5	106
1-1/2"	40	78.6	120
2"	5B0	92	140
2-1/2"	64	125	178
3"	76	156	215
4"	100	195	264

Unit:mm

- 防爆中轴/全流BLOW-OUT PROOF STEM/FULL PORT
- 适用温度范围TEMPERATURE RANGE:-20 to 150°C
- 使用压力PRESSURE:PN63/1000WOG
- 设计制造DESIGN:GB/T-12237/ANSI B16.34
- 尺寸参照FLANGE DIMENSIONS:GB/ T-9113.1 /ASME B16.5 CLASS 150
- 长度FACE TO FACE:GB/T-12221/ASMW B16.1
- 螺纹标准THREAD:BSPT/BSP/NPT/DIN/JIS/RC/G
- 检查与测试TEST:GB/T-13927/API598



材质清单 MATERIALS LIST

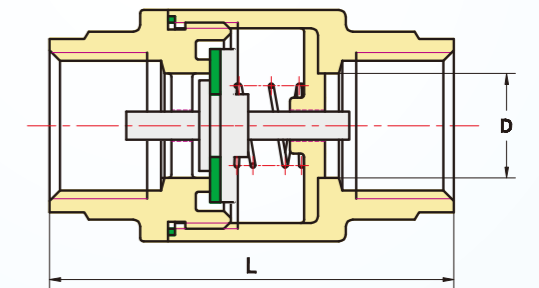
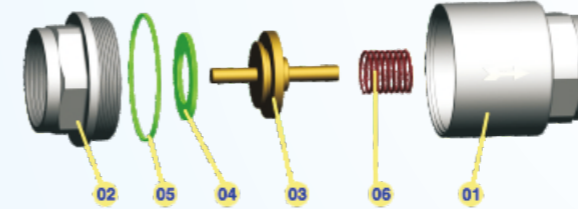
NO.	零件名称 PART NAME	材质 MATERIALS LIST
1	阀体 BODY	不锈钢 CF8M CF8
2	闸瓣 GATE DISC	不锈钢 CF8M CF8
3	阀盖 END CAP	不锈钢 CF8M CF8
4	线条 BODY SEAL	聚四氟乙烯 PTFE
5	螺栓 BOLT	不锈钢 SS316 304
6	四氟垫片 PTFE GASKET	聚四氟乙烯 PTFE
7	金属垫片 WASHER	不锈钢 SS316 304
8	销 PIN	不锈钢 SS316 304

外形尺寸 OUTER SIZE

SIZE	D	H	L
1/4"	10	36.5	56
3/8"	12	36.5	56
1/2"	15	40	65
3/4"	20	49.5	80
1"	23	57	90
1-1/4"	30	61.5	105
1-1/2"	38	71	120
2"	47	77	140
2-1/2"	63	101	165
3"	76	121.5	190
4"	95	134.5	240

Unit:mm

- 防爆中轴/全流BLOW-OUT PROOF STEM/FULL PORT
- 适用温度范围TEMPERATURE RANGE:-20 to 150°C
- 使用压力PRESSURE:PN63/1000WOG
- 设计制造DESIGN:GB/T-12237/ANSI B16.34
- 尺寸参照FLANGE DIMENSIONS:GB/ T-9113.1 /ASME B16.5 CLASS 150
- 长度FACE TO FACE:GB/T-12221/ASMW B16.1
- 螺纹标准THREAD:BSPT/BSP/NPT/DIN/JIS/RC/G
- 检查与测试TEST:GB/T-13927/API598



材质清单 MATERIALS LIST

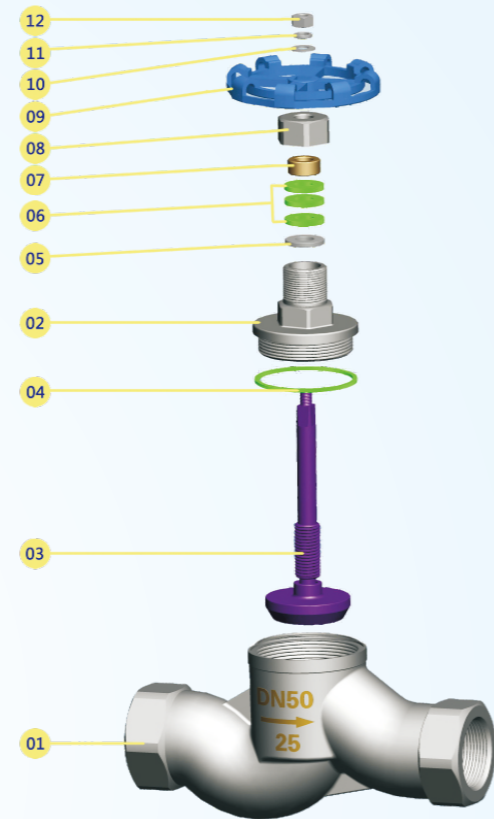
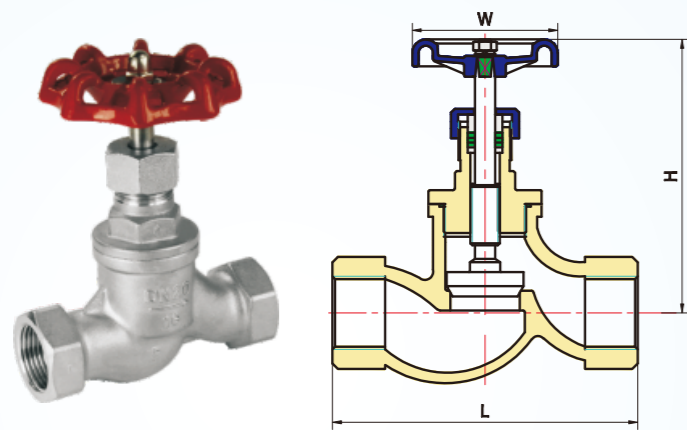
NO.	零件名称 PART NAME	材质 MATERIALS LIST
1	阀体 BODY	不锈钢 CF8M CF8
2	阀盖 END CAP	不锈钢 CF8M CF8
3	阀瓣 DISC	不锈钢 CF8M CF8
4	阀座 SEAL	氟橡胶
5	线条 BODY SEAL	聚四氟乙烯 PTFE
6	弹簧 SPRING	不锈钢 SS316 304

外形尺寸 OUTER SIZE

SIZE	D	L
1/2"	15	58
3/4"	20	70
1"	25	82
1-1/4"	32	88
1-1/2"	38	102
2"	50	115
2-1/2"	65	125
3"	80	155
4"	100	195

Unit:mm

- 防爆中轴/全流BLOW-OUT PROOF STEM/FULL PORT
- 适用温度范围TEMPERATURE RANGE:-20 to 150°C
- 使用压力PRESSURE:PN63/1000WOG
- 设计制造DESIGN:GB/T-12237/ANSI B16.34
- 尺寸参照FLANGE DIMENSIONS:GB/ T-9113.1 /ASME B16.5 CLASS 150
- 长度FACE TO FACE:GB/T-12221/ASMW B16.1
- 螺纹标准THREAD:BSPT/BSP/NPT/DIN/JIS/RC/G
- 检查与测试TEST:GB/T-13927/API598



材质清单 MATERIALS LIST

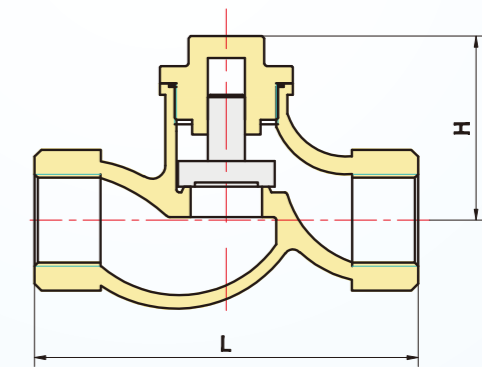
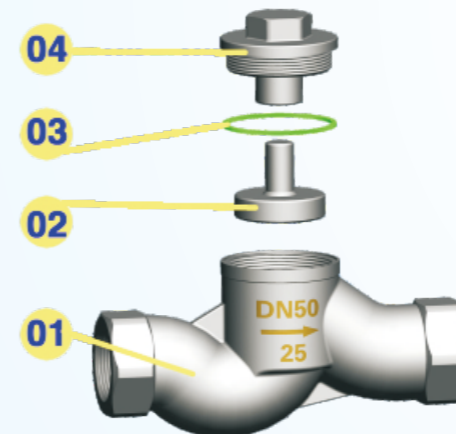
NO.	零件名称 PART NAME	材质 MATERIALS LIST
1	阀体 BODY	不锈钢 CF8M CF8
2	闸瓣阀杆 GATE VALVE STEM	不锈钢 CF8M CF8
3	阀盖 END CAP	不锈钢 CF8M CF8
4	线条 BODY SEAL	聚四氟乙烯 PTFE
5	金属垫片 WASHER	不锈钢 SS316 304
6	填料 PACKING	聚四氟乙烯 PTFE
7	填料压套 GLAND	不锈钢 SS316 304
8	填料压盖螺母 PACKING GLAND NUT	不锈钢 SS316 304
9	手轮 HANDWHEEL	
10	金属垫片 WASHER	不锈钢 SS316 304
11	弹垫 STUD	不锈钢 SS316 304
12	螺帽 NUT	不锈钢 SS316 304

外形尺寸 OUTER SIZE

SIZE	L	W	H
1/2"	90	72	109
3/4"	100	72	109
1"	120	72	132
1-1/4"	140	98	156
1-1/2"	170	98	167
2"	200	126	182
2-1/2"	260	126	200

Unit:mm

- 防爆中轴/全流BLOW-OUT PROOF STEM/FULL PORT
- 适用温度范围TEMPERATURE RANGE:-20 to 150°C
- 使用压力PRESSURE:PN63/1000WOG
- 设计制造DESIGN:GB/T-12237/ANSI B16.34
- 尺寸参照FLANGE DIMENSIONS:GB/ T-9113.1 /ASME B16.5 CLASS 150
- 长度FACE TO FACE:GB/T-12221/ASMW B16.1
- 螺纹标准THREAD:BSPT/BSP/NPT/DIN/JIS/RC/G
- 检查与测试TEST:GB/T-13927/API598



材质清单 MATERIALS LIST

NO.	零件名称 PART NAME	材质 MATERIALS LIST
1	阀体 BODY	不锈钢 CF8M CF8
2	阀瓣 DISC	不锈钢 CF8M CF8
3	阀盖 END CAP	不锈钢 CF8M CF8
4	线条 BODY SEAL	聚四氟乙烯 PTFE

外形尺寸 OUTER SIZE

SIZE	L	H
1/2"	90	46
3/4"	100	50
1"	120	57
1-1/4"	140	61
1-1/2"	170	77
2"	200	82
2-1/2"	260	95

Unit:mm



TYPE:A
产品材质(Material) : 304、316等材质
规格(Size) : 1/2"~6"



TYPE:B
产品材质(Material) : 304、316等材质
规格(Size) : 1/2"~6"



TYPE:C
产品材质(Material) : 304、316等材质
规格(Size) : 1/2"~6"



TYPE:D
产品材质(Material) : 304、316等材质
规格(Size) : 1/2"~6"



TYPE:E
产品材质(Material) : 304、316等材质
规格(Size) : 1/2"~6"



TYPE:F
产品材质(Material) : 304、316等材质
规格(Size) : 1/2"~6"



TYPE:DC
产品材质(Material) : 304、316等材质
规格(Size) : 1/2"~6"



TYPE:DP
产品材质(Material) : 304、316等材质
规格(Size) : 1/2"~6"



90°螺纹弯头
90° Threaded Elbow



90°异径弯头
90° ECC-Elbow



45°螺纹弯头
45° Threaded Elbow



内螺纹四通
Threaded cross



内外丝大小头
Joint with no equirotal



活接
Union conical joint



堵头
Square plug



补芯
Hex bushing



六角外丝
Hex nipple



外接头
Socket (Coupling) banded



抛光管子单头丝
Polish single head thread



六角皮接
Hex hose nipple



内外牙弯头
Street elbow M/F



内丝
Socket (Coupling) banded



异径外接头
Reducing joint



管帽
Cap

